



Model Part No. 9004202



*More than clean, it's ReadySpace.™*

*Insta-Adjust™ Handle*

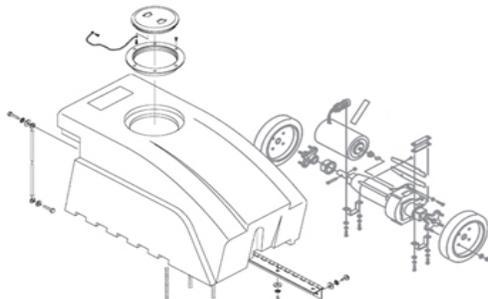
*Hygenic™ Cleanable Tanks*

*Duramer™ Tank Construction*

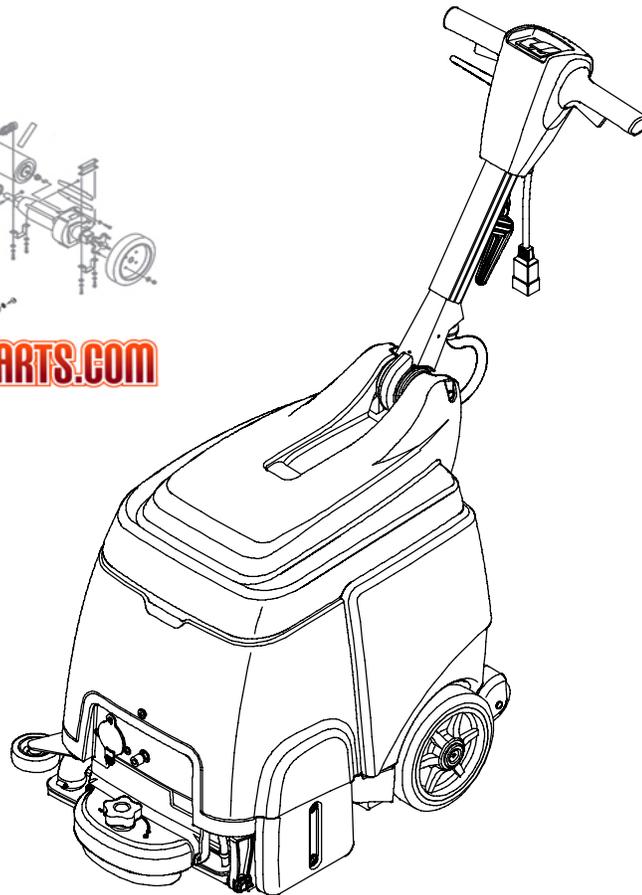
# STRIVE® COMPACT

CARPET CLEANER  
DEL ASPIRADOR PARA MOQUETAS  
EXTRACTEUR DE MOQUETTE

OPERATOR MANUAL  
MANUAL DEL OPERARIO  
MANUEL OPÉRATEUR



**FLOOR-EQUIPMENT-PARTS.COM**



This manual is furnished with each new model. It provides necessary operation and maintenance instructions.

**Read this manual completely and understand the machine before operating or servicing it.**

A complete illustrated Parts Manual is also furnished with each new model. Use the Parts Manual to order replacement parts. To ensure prompt delivery, follow the "HOW TO ORDER PARTS" instructions printed in the Parts Manual.

This machine will provide excellent service. However, the best results will be obtained at minimum costs if:

- The machine is operated with reasonable care.
- The machine is maintained regularly - per the machine maintenance instructions provided.
- The machine is maintained with manufacturer supplied or equivalent parts.

**UNCRATING MACHINE:** Carefully check carton for signs of damage. Report damages at once to carrier.



**PROTECT THE ENVIRONMENT**  
Please dispose of packaging materials and old machine components in an environmentally safe way according to local waste disposal regulations.



Always remember to recycle.

**Tennant Company**  
PO Box 1452  
Minneapolis, MN 55440 USA  
Phone: (800) 553-8033 or (763) 513-2850  
www.nobles.com

Specifications and parts are subject to change without notice.

Copyright © 2008 TENNANT Company.  
All rights reserved. Printed in China

**MACHINE DATA**

Please fill out at time of installation for future reference.

Model No. - \_\_\_\_\_

Serial No. - \_\_\_\_\_

Machine Options - \_\_\_\_\_

Sales Rep. - \_\_\_\_\_

Sales Rep. phone no. - \_\_\_\_\_

Customer Number - \_\_\_\_\_

Installation Date - \_\_\_\_\_

**TABLE OF CONTENTS**

<b>SAFETY PRECAUTIONS</b> .....	<b>3</b>
GROUNDING INSTRUCTIONS .....	4
<b>SAFETY LABELS</b> .....	<b>4</b>
<b>MACHINE COMPONENTS</b> .....	<b>5</b>
<b>MACHINE APPLICATION</b> .....	<b>6</b>
<b>MACHINE SETUP</b> .....	<b>6</b>
INSTALLING ROLLERS .....	6
FILLING SOLUTION TANK .....	6
CONNECTING POWER CORD .....	7
<b>MACHINE OPERATION</b> .....	<b>7</b>
PRE-OPERATION .....	7
CLEANING CARPETS .....	8
CLEANING WITH ACCESSORY TOOLS (Option) .....	9
<b>MACHINE MAINTENANCE</b> .....	<b>10</b>
AFTER EACH USE .....	10
AFTER EVERY 10 HOURS OF USE .....	11
AFTER EVERY 100 HOURS OF USE .....	11
BRUSH MOTOR MAINTENANCE .....	11
<b>STORING MACHINE</b> .....	<b>11</b>
<b>RECOMMENDED STOCK ITEMS</b> .....	<b>12</b>
<b>TROUBLESHOOTING</b> .....	<b>12</b>
<b>MACHINE SPECIFICATIONS</b> .....	<b>13</b>
<b>MACHINE DIMENSIONS</b> .....	<b>14</b>

## SAFETY PRECAUTIONS

This machine is intended for commercial use. It is designed exclusively to clean carpet and upholstery in an indoor environment and is not constructed for any other use. Use only manufacturer's recommended attachments.

All operators must read, understand and practice the following safety precautions.

The following warning alert symbol and the "FOR SAFETY" heading are used throughout this manual as indicated in their description:

**⚠ WARNING:** To warn of hazards or unsafe practices which could result in severe personal injury or death.

**FOR SAFETY:** To identify actions which must be followed for safe operation of equipment.

The following safety precautions signal potentially dangerous conditions to the operator or equipment.

**⚠ WARNING:** Fire Or Explosion Hazard

- Do Not Use or Pick Up Flammable Materials
- Only Use Commercially Available Floor Cleaners intended for machine application.
- Do Not Use Near Flammable Liquids, Vapors Or Combustible Dusts.

This machine is not equipped with explosion proof motors. The electric motors will spark upon start up and during operation which could cause a flash fire or explosion if machine is used in an area where flammable vapors/liquids or combustible dusts are present.

**⚠ WARNING:** Electrical Hazard

- Do Not Operate With Damaged Power Cord.
- Do Not Modify Power Cord Plug.
- Unplug Power Cord Before Servicing Machine.

If the power cord is damaged or broken, it must be replaced by the manufacturer or its service agent or a similarly qualified person in order to avoid a hazard.

**⚠ WARNING:** Spinning Brush. Keep Hands Away. Unplug Power Cord Before Servicing Machine.

**⚠ WARNING:** Electrical Shock Hazard. Do Not Use Outdoors. Do Not Expose To Rain. Store Indoors.

## FOR SAFETY:

1. Do not operate machine:
  - Unless trained and authorized.
  - Unless operator manual is read and understood.
  - In an area where flammable vapors/liquids or combustible dusts are present.
  - Unless power cord is properly grounded. Only use the manufacturer-supplied power cord which is designed exclusively for this machine. Do not use additional extension cords.
  - Outdoors.
  - If not in proper operating condition.
  - In standing water.
2. Before operating machine:
  - Make sure all safety devices are in place and operate properly.
  - Place wet floor signs as needed.
3. When operating machine:
  - Do not run machine over power cord.
  - Do not pull machine by plug or power cord.
  - Do not pull power cord around sharp edges or corners.
  - Do not unplug by pulling on power cord.
  - Do not stretch power cord.
  - Do not handle plug with wet hands.
  - Keep power cord away from heated surfaces.
  - Report machine damage or faulty operation immediately.
  - Do not allow children to play on or around machine.
  - If foam or liquid begins to leak from machine, immediately shut off machine.
4. Before leaving or servicing machine:
  - Turn off machine.
  - Unplug power cord from wall outlet.
5. When servicing machine:
  - Unplug power cord from wall outlet.
  - Avoid moving parts. Do not wear loose jackets, shirts, or sleeves.
  - Do not power spray or hose off machine. Electrical malfunction may occur.
  - Use manufacturer-supplied or approved replacement parts.
  - All repairs must be performed by a qualified service person.
  - Do not modify the machine from its original design.
6. When transporting machine:
  - Unplug power cord from wall outlet.

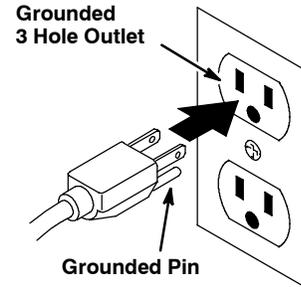
- Get assistance when lifting machine.
- Do not wheel up or down stairs.
- Use tie-down straps to secure machine to truck or trailer.

This machine is for use on a nominal 120-volt circuit and has a grounding attachment plug that looks like the plug illustrated below. Make sure that the machine is connected to an outlet having the same configuration as the plug. No adapter should be used with this machine.

## GROUNDING INSTRUCTIONS

This machine must be grounded. If it should electrically malfunction, grounding provides a path of least resistance for electrical current to reduce the risk of electrical shock. This machine is equipped with a power cord having an equipment-grounding conductor and grounding plug. The plug must be plugged into an appropriate outlet that is properly installed in accordance with all local codes and ordinances.

**⚠ WARNING: Improper connection of the equipment-grounding conductor can result in a risk of electric shock. Check with a qualified electrician or service person if you are in doubt as to whether the outlet is properly grounded. Do not modify the plug provided with the machine. If it will not fit the outlet, have a proper outlet installed by a qualified electrician.**



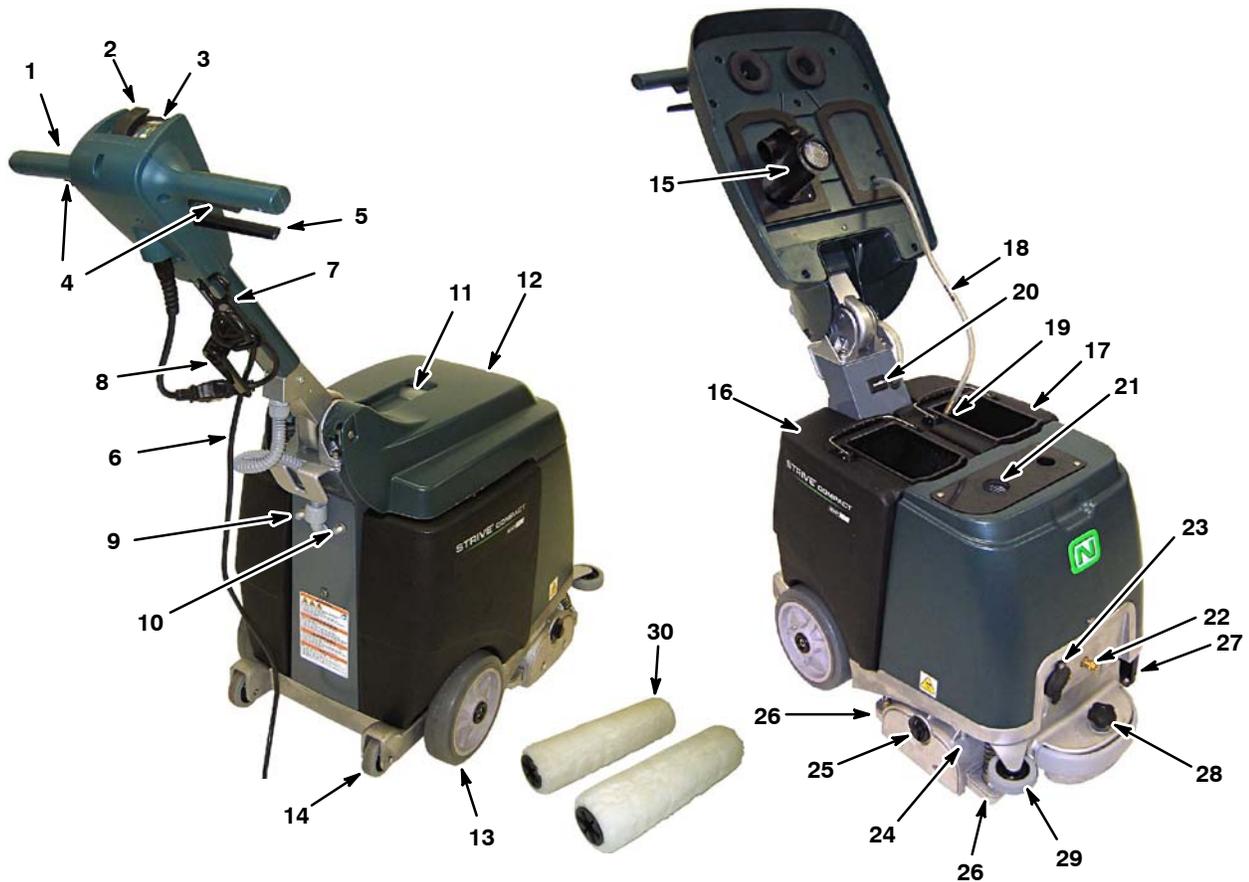
## SAFETY LABELS

The safety labels appear on the machine in the locations indicated. Replace labels if they are missing or become damaged or illegible.



**⚠ WARNING: Spinning brush. Keep hands away. Unplug power cord before servicing machine.**

**MACHINE COMPONENTS**



- |  |  |
|--|--|
| <ol style="list-style-type: none"> <li>1. Adjustable Control Handle</li> <li>2. Main Power ON/OFF Switch</li> <li>3. Roller Pressure Meter</li> <li>4. Start Triggers</li> <li>5. Handle Adjustment Lever</li> <li>6. 50 ft/15 m Power Cord</li> <li>7. Power Cord Strain Relief Clip</li> <li>8. Power Cord Hook</li> <li>9. 15A Machine Circuit Breaker Button</li> <li>10. 5A Brush Circuit Breaker Button</li> <li>11. Recovery Window</li> <li>12. Tank Cover</li> <li>13. Main Wheels</li> <li>14. Curb Climbing/Tilt Wheels</li> <li>15. Vacuum Shut-Off Float</li> </ol> | <ol style="list-style-type: none"> <li>16. Recovery Tank</li> <li>17. Solution Tank</li> <li>18. Solution Hose</li> <li>19. Solution Hose Screen</li> <li>20. Hour meter</li> <li>21. Vacuum intake Screen</li> <li>22. Accessory Tool Solution Hose Coupler</li> <li>23. Accessory Tool Vacuum Hose Port</li> <li>24. Scrub Head</li> <li>25. Roller Idler Plate Locking Knob</li> <li>26. Vacuum Shoes</li> <li>27. Support Stand</li> <li>28. Roller Pressure Adjustment Knob</li> <li>29. Bumper Wheel</li> <li>30. Rollers</li> </ol> |
|--|--|

**SWITCH SYMBOLS**

- Power On     
  Power Off     
 ✿ Vacuum

**MACHINE APPLICATION**

Use this machine to clean visible surface soils on a daily basis or as needed to maintain a high level of carpet cleanliness. The machine may be used during normal business hours because often the carpet is dry in less than 30 minutes.

If the carpet is heavily soiled, have the carpet deep cleaned first before using this machine for routine surface cleaning.

**MACHINE SETUP****INSTALLING ROLLERS**

**FOR SAFETY: Before installing rollers, turn off machine and unplug power cord from wall outlet.**

1. Raise the scrub head off the floor with the support stand and remove the roller idler plate (Figure 1). Turn the idler plate locking knob counter-clockwise to remove.



FIG. 1

2. Connect the two rollers to the drive hubs (Figure 2).



FIG. 2

3. Connect the idler plate to the rollers and reinstall the idler plate. Make sure the idler plate hooks engage the scrub head and that the locking knob is secure (Figure 3).



FIG. 3

**NOTE:** If storing the machine for an extended period, raise the scrub head with kick stand to prevent a flat spot in rollers.

**FILLING SOLUTION TANK**

1. Lift the cover and remove the solution tank from the machine (Figure 4).
2. Fill the solution tank with 5 gal/19 L of clean water (122°F/50°C maximum temperature) (Figure 5). Partially fill if unable to lift a full tank.

**ATTENTION:** Do not add any cleaning detergents to solution tank. Cleaning detergent must be pre-sprayed on the carpet with the use of a pump-up sprayer.



FIG. 4

FIG. 5

**ATTENTION:** Do not use the recovery tank to fill the solution tank. Dirt from the recovery tank may cause damage to the solution pump.

**⚠ WARNING: Fire Or Explosion Hazard, Do Not Use or Pick Up Flammable Materials.**

- Submerge the solution hose screen into the solution tank and close the cover (Figure 6).



FIG. 6

- Wrap the power cord around the handle and cord hook when storing machine. To remove power cord, turn the cord hook upward (Figure 9).



FIG. 9

### CONNECTING POWER CORD

- Plug the supplied power cord into the machine and attach the power cord to the strain relief clip as shown (Figure 7).

**FOR SAFETY: Do not operate machine unless power cord is properly grounded. Only use the manufacturer-supplied power cord which is designed exclusively for this machine. Do not use additional extension cords.**

- Plug the power cord into a properly grounded wall outlet (Figure 8).



FIG. 7

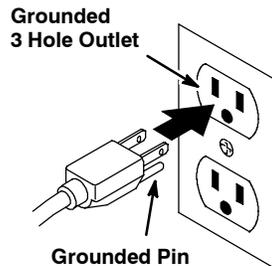


FIG. 8

**⚠ WARNING: Electrical Hazard, Do Not Operate With Damaged Power Cord.**

If the power cord is damaged or broken, it must be replaced by the manufacturer or its service agent or a similarly qualified person in order to avoid a hazard.

### MACHINE OPERATION

**FOR SAFETY: Do not operate machine unless operator manual is read and understood.**

#### PRE-OPERATION

- Inspect power cord for damage.
- Vacuum the carpet and remove debris from area.
- Using a pump-up sprayer, spray the carpet with an approved pre-treatment detergent (Figure 10).

*Contact your dealer for recommended cleaning detergents.*



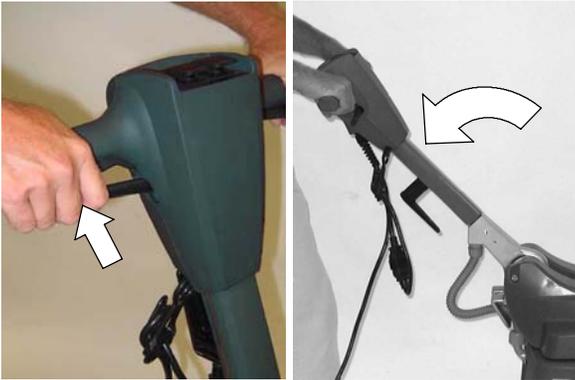
FIG. 10

**⚠ WARNING: Fire Or Explosion Hazard. Do Not Use Flammable Materials. Only Use Commercially Available Floor Cleaners intended for machine application.**

**CLEANING CARPETS**

**⚠ WARNING: Fire or Explosion Hazard, Do Not Use or Pick Up Flammable Materials.**

1. Pull the handle adjustment lever and adjust the handle to a comfortable operating height (Figure 11). Release the lever to lock the position.



**FIG. 11**

2. Press the main power switch to the on ( I ) position (Figure 12).



**FIG. 12**

3. To prepare the rollers for cleaning, tip the machine back to the rear tilt wheels and pull the start triggers for approximately 30 seconds to wet the rollers (Figure 13).



**FIG. 13**

4. To begin cleaning, pull the start triggers and slowly push the machine forward. You can also pull the machine backwards to clean (Figure 14).



**FIG. 14**

**FOR SAFETY: When operating machine, do not run machine over power cord.**

5. Observe the roller pressure meter. The meter should read in the green zone. Turn the roller pressure knob to adjust (Figure 15).

**NOTE:** For a new set of rollers the meter may read in the red zone for a short time until the rollers are broke in.



**FIG. 15**

6. The roller motor circuit breaker may trip if the rollers are set too low or if the rollers are obstructed. To reset the circuit breaker, unplug the power cord, determine cause and reset the 5 amp circuit breaker button (Figure 16).

**FOR SAFETY: Before removing an obstruction from the rollers unplug power cord from wall outlet.**

**FOR SAFETY:** When operating machine, if foam or liquid begins to leak from machine, immediately shut off machine.



FIG. 16

7. View the water pickup from the recovery window (Figure 17). When the water pickup stops, unplug the power cord and empty the recovery tank.

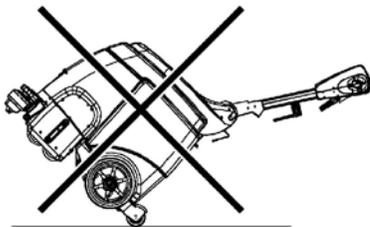
The machine is equipped with a vacuum shut-off float that will automatically stop the water pickup when the recovery tank reaches the full point. A sudden change in vacuum motor sound will occur.



FIG. 17

**ATTENTION:** Check for excessive foam in the recovery tank. Empty tank if excessive. Foam may not activate the shut-off float which may result in vacuum motor damage.

8. When transporting machine, roll the machine on both the main and rear tilt wheels.



**FOR SAFETY:** When transporting machine, do not wheel up or down stairs.

**CLEANING WITH ACCESSORY TOOLS (Option)**

1. Connect the accessory tool hoses to solution hose coupler and vacuum hose port located at the front of the machine (Figure 18).



FIG. 18

2. Fill the solution tank (See FILLING SOLUTION TANK on page 6).
3. Press the main power switch to the on ( I ) position (Figure 19).



FIG. 19

4. Operate the accessory tool (Figure 20).

**⚠ WARNING: Fire or Explosion Hazard, Do Not Use or Pick Up Flammable Materials.**



FIG. 20

## MACHINE MAINTENANCE

To keep the machine in good working condition, simply follow the machine's maintenance procedures.

**FOR SAFETY: Before performing maintenance procedures turn off machine and unplug power cord from wall outlet.**

**ATTENTION: Contact an Authorized Service Center for machine repairs.**

### AFTER EACH USE

1. Wipe clean the power cord and inspect it for damage (Figure 21). Wrap power cord around handle and cord hook when not in use (Figure 22).



FIG. 21



FIG. 22

**⚠ WARNING: Electrical Hazard, Do Not Operate With Damaged Power Cord.**

If the power cord is damaged or broken, it must be replaced by the manufacturer or its service agent or a similarly qualified person in order to avoid a hazard.

2. Empty the recovery and solution tanks and thoroughly rinse with clean water (Figure 23).



FIG. 23

3. Clean the vacuum shut-off float (Figure 24) and the vacuum intake screen of any debris buildup (Figure 25).



FIG. 24



FIG. 25

4. Clean the solution hose screen (Figure 26).



FIG. 26

5. Clean the machine with an all purpose cleaner and damp cloth (Figure 27).



FIG. 27

**AFTER EVERY 10 HOURS OF USE**

1. Flip the rollers end for end (Figure 28). Replace the rollers after 100 hours of use.

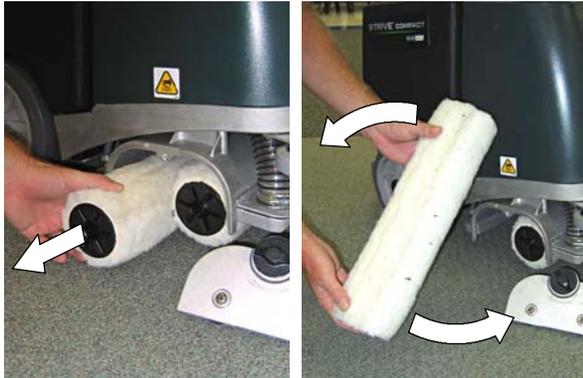


FIG. 28

2. Remove and clean the front and rear vacuum shoes of any debris (Figure 29). To remove the vacuum shoes, unthread the vacuum shoe knob.

**FOR SAFETY: Before tipping machine back, unplug power cord from wall outlet.**



FIG. 29

3. Remove any debris buildup from the underside of the scrub head (Figure 30).



FIG. 30

**AFTER EVERY 100 HOURS OF USE**

1. Replace the rollers. Always replace rollers as a set.
2. Flush the solution system with white vinegar to remove any mineral deposits. Pour 1/2 gal/2.2 L of white vinegar into the solution tank and operate the machine for 1-2 minutes, then let vinegar sit for up to six hours. Rinse solution system with water. Remove rollers before flushing.
3. Remove the spray tip and soak in white vinegar to prevent clogging. Do not use a pointed object to clean out spray tip, damage will occur (Figure 31).

**FOR SAFETY: Before tipping machine back, unplug power cord from wall outlet.**



FIG. 31

**BRUSH MOTOR MAINTENANCE**

Contact an Authorized Service Center for carbon brush replacement.

Carbon Brush Replacement	Hours
Roller Motor	500

**STORING MACHINE**

Empty tanks and store the machine in a dry area in the upright position. Raise the scrub head with support stand to prevent a flat spot in rollers. Neatly wrap power cord around handle and cord hook.

**If storing machine in freezing temperatures, purge solution system and pump from all water.**

**⚠ WARNING: Electrical Shock Hazard. Do Not Use Outdoors. Do Not Expose To Rain. Store Indoors.**

**RECOMMENDED STOCK ITEMS**

Refer to the Parts List Manual for recommended stock items. Stock Items are clearly identified with a bullet preceding the parts description. See example below:

26	1017380	(00000000-	) • Hose, Drain, Assy, 1.5d X 29.5l, Blk,Flx
27	1008639	(00000000-	) • Drain Assy
28	1019563	(00000000-	) • Strap, Drain Cap
29	1008637	(00000000-	) • O Ring, 1.48" Id, 1.76" Od

**TROUBLESHOOTING**

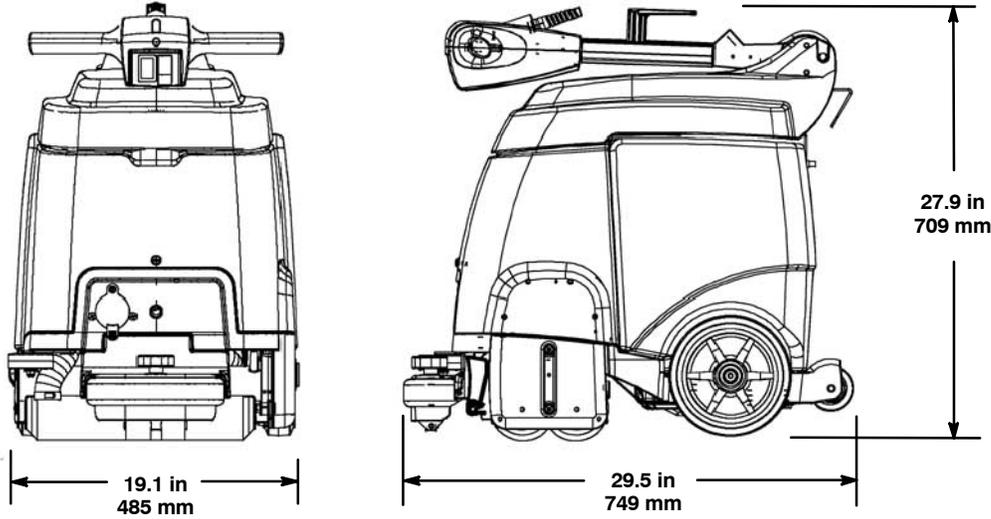
<b>PROBLEM</b>	<b>CAUSE</b>	<b>SOLUTION</b>
Machine does not operate.	Faulty power cord.	Replace power cord.
	Tripped circuit breaker.	Unplug power cord and determine cause. Reset 15 amp circuit breaker button. Contact Service Center if circuit breaker continues to trip.
Rollers do not spin	Tripped circuit breaker.	Readjust roller pressure knob. Reset 5 amp circuit breaker button.
		Unplug power cord and inspect rollers for obstruction. Reset 5 amp circuit breaker button.
	Broken brush belt.	Contact Service Center.
Poor water pickup.	Faulty roller motor or worn carbon brushes.	Contact Service Center.
	Loose accessory tool vacuum hose port cover.	Check vacuum hose port cover.
	Worn rollers	Replace rollers.
	Clogged shut-off float.	Clean debris from shut-off float.
	Clogged vacuum intake screen.	Clean debris from intake screen.
	Clogged vacuum shoes.	Clean debris from vacuum shoes.
	Clogged vacuum shoe hose.	Contact Service Center.
Worn tank cover gaskets.	Replace gaskets.	
Uneven or no spray.	Faulty vacuum motor.	Contact Service Center.
	Empty solution tank.	Refill solution tank.
	Clogged spray tip.	Clean or replace tip.
	Improper spray tip angle.	Adjust spray tip angle.
	Faulty spray tip.	Replace spray tip.
	Clogged solution hose screen.	Clean debris from solution tank screen.
	Damaged solution hose.	Contact Service Center.
Faulty solution pump.	Contact Service Center.	
Excessive foam/cream appears on the floor	Cleaning detergent was added to solution tank.	Drain and rinse out solution tank and refill with water only, do not add cleaning detergent.

**MACHINE SPECIFICATIONS**

<b>MODEL</b>	<b>Strive Compact</b>
LENGTH	29.5 in / 749 mm with handle folded
WIDTH	19.1 in / 485 mm
HEIGHT	27.9 in / 709 mm with handle folded
WEIGHT	117 lb / 53 kg
SOLUTION TANK CAPACITY	5 gal / 19 L
RECOVERY TANK CAPACITY	5 gal / 19 L
PRODUCTIVITY RATE - AVG.	3,250 ft <sup>2</sup> / 302 m <sup>2</sup> /hr
CLEANING PATH WIDTH	15 in/ 380 mm
ROLLER PRESSURE	32 lb/ 14.5 kg
ROLLER MOTOR	120V, .3 hp/ .2 kW, 1.7 A, 450 brush rpm
VACUUM MOTOR	120V, 1.2 hp/ .88 kW, 2-stage 5.7, 7.1 A
WATER LIFT-AIR FLOW	86 in / 2,184 mm
SOLUTION PUMP	120V, 0.11 hp/ 0.081 kW, 2-stage 5.7, 0.7 A
SOLUTION FLOW RATE	.2 gal / .76 L/min
VOLTAGE	120 AC
TOTAL POWER CONSUMPTION	11 A
POWER CORD LENGTH	50 ft/15 m
DECIBEL RATING AT OPERATOR'S EAR, INDOORS*	69 dBA
PROTECTION GRADE	IPX3
VIBRATIONS AT CONTROLS	<1.8 m/s <sup>2</sup>

\*Sounds levels (ISO 11201) as recommended by the American Association of Cleaning Equipment Manufacturers (AACEM) and OSHA.

**MACHINE DIMENSIONS**



Este manual acompaña a los modelos nuevos e incluye las instrucciones necesarias para su utilización y mantenimiento.

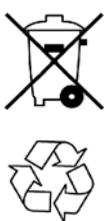
**Lea todo el manual para familiarizarse con la máquina antes de utilizarla o realizar tareas de mantenimiento.**

También se incluye un Manual de repuestos ilustrado en todos los modelos nuevos. Utilice el Manual de repuestos para pedir las piezas de recambio. Para que la entrega sea rápida, siga las instrucciones sobre "CÓMO SOLICITAR PIEZAS" impresas en el Manual de repuestos.

Esta máquina ofrece un funcionamiento excelente y puede obtener los mejores resultados con los mínimos costes si:

- Maneja la máquina con un cuidado razonable.
- Revisa la máquina periódicamente, de acuerdo con las instrucciones de mantenimiento adjuntas.
- Las operaciones de mantenimiento de la máquina se realizan con piezas suministradas por el fabricante o equivalentes.

**DESEMBALADO DE LA MÁQUINA:** Controle cuidadosamente si la caja presenta signos de deterioro. Si detecta desperfectos, informe inmediatamente al transportista.



**PROTECCIÓN DEL MEDIO AMBIENTE**

Deseche el material de embalaje y los componentes usados de la máquina de forma segura para el medio ambiente, de acuerdo con las normativas locales sobre desecho de residuos.

No olvide reciclar.

**Tennant Company**  
 PO Box 1452  
 Minneapolis, MN 55440 EE.UU.  
 Teléfono: (800) 553-8033 o (763) 513-2850  
 www.nobles.com

Las características técnicas y las piezas están sujetas a modificaciones sin previo aviso.

Copyright © 2008 TENNANT Company.  
 Todos los derechos reservados. Impreso en China.

## DATOS DE LA MÁQUINA

Rellénela cuando realice la instalación para utilizarla como referencia en el futuro.

Nº modelo: \_\_\_\_\_

Nº serie: \_\_\_\_\_

Opciones de la máquina: \_\_\_\_\_

Vendedor: - \_\_\_\_\_

Nº de teléfono del vendedor: \_\_\_\_\_

Nº de cliente: \_\_\_\_\_

Fecha de instalación: \_\_\_\_\_

## ÍNDICE

<b>MEDIDAS DE SEGURIDAD .....</b>	<b>16</b>
INSTRUCCIONES PARA REALIZAR LA TOMA DE TIERRA .....	17
<b>ADHESIVOS DE SEGURIDAD .....</b>	<b>18</b>
<b>COMPONENTES DE LA MÁQUINA .....</b>	<b>19</b>
<b>FUNCIONAMIENTO DE LA MÁQUINA .....</b>	<b>20</b>
<b>INSTALACIÓN DE LA MÁQUINA .....</b>	<b>20</b>
INSTALACIÓN DE LOS RODILLOS .....	20
LLENADO DEL DEPÓSITO DE DISOLUCIÓN .....	20
CONEXIÓN DEL CABLE ELÉCTRICO .....	21
<b>FUNCIONAMIENTO DE LA MÁQUINA .....</b>	<b>21</b>
ANTES DE LA PUESTA EN MARCHA .....	21
LIMPIEZA DE MOQUETAS .....	22
LIMPIEZA CON ACCESORIOS (Opcional) ..	23
<b>MANTENIMIENTO DE LA MÁQUINA .....</b>	<b>24</b>
DESPUÉS DE CADA USO .....	24
DESPUÉS DE CADA 10 HORAS DE USO ..	25
DESPUÉS DE CADA 100 HORAS DE USO ..	25
MANTENIMIENTO DEL MOTOR DEL CEPILLO .....	26
<b>ALMACENAMIENTO DE LA MÁQUINA .....</b>	<b>26</b>
<b>STOCK RECOMENDADO DE REPUESTOS ...</b>	<b>26</b>
<b>LOCALIZACIÓN DE AVERÍAS .....</b>	<b>27</b>
<b>ESPECIFICACIONES DE LA MÁQUINA .....</b>	<b>28</b>
<b>DIMENSIONES DE LA MÁQUINA .....</b>	<b>28</b>

---

## MEDIDAS DE SEGURIDAD

---

Esta máquina está destinada al uso comercial. Está diseñada exclusivamente para limpiar moquetas y tapicerías en interiores y no es adecuada para ningún otro uso. Utilice solamente los accesorios recomendados del fabricante.

Todos los operarios deben leer, comprender y cumplir las siguientes medidas de seguridad.

A lo largo de todo el manual se utilizan los siguientes símbolos de advertencia y encabezados "PARA SU SEGURIDAD" descritos a continuación:

**⚠ ADVERTENCIA:** Advierte sobre peligros o prácticas poco seguras que pueden provocar lesiones graves o mortales.

**PARA SU SEGURIDAD:** Identifica las operaciones que debe realizar para utilizar de forma segura del equipo.

---

Las siguientes medidas de seguridad hacen referencia a situaciones potencialmente peligrosas para el operario o el equipo.

**⚠ ADVERTENCIA:** Peligro de incendio o de explosión

- No utilice ni recoja materiales inflamables.
- Utilice sólo limpiadores de suelos disponibles comercialmente específicos para máquinas.
- No utilice la máquina cerca de líquidos, polvos o vapores inflamables.

Esta máquina no está equipada con motores a prueba de explosiones. Los motores eléctricos producen chispas tanto durante el arranque como durante su utilización que pueden provocar incendios o explosiones si utiliza la máquina en presencia de líquidos o vapores inflamables o partículas combustibles.

**⚠ ADVERTENCIA:** Peligro eléctrico

- No utilice la máquina si el cable eléctrico está deteriorado.
- No modifique el enchufe del cable eléctrico.
- Desconecte el cable eléctrico antes de realizar operaciones de mantenimiento en la máquina.

Si el cable eléctrico está deteriorado o roto, deberá ser sustituido por el fabricante, el servicio técnico del fabricante u otra persona igualmente cualificada para evitar riesgos.

**⚠ ADVERTENCIA:** Cepillo giratorio. Mantenga alejadas las manos. Desconecte el cable eléctrico antes de realizar operaciones de mantenimiento en la máquina.

**⚠ ADVERTENCIA:** Peligro de descarga eléctrica. No utilizar en exteriores. No exponga la máquina a la lluvia. Guárdela en un lugar cerrado.

**PARA SU SEGURIDAD:**

1. No utilice la máquina:
  - A no ser que cuente con la formación y autorización adecuada.
  - Si no ha leído y comprendido el Manual del operario.
  - En presencia de líquidos o vapores inflamables o partículas combustibles.
  - Salvo que el cable eléctrico esté conectado a una toma de tierra que funcione correctamente. Utilice sólo el cable eléctrico proporcionado por el fabricante diseñado exclusivamente para esta máquina. No utilice cables alargadores adicionales.
  - En el exterior.
  - Si la máquina no funciona correctamente.
  - Donde exista agua encharcada.
2. Antes de utilizar la máquina:
  - Asegúrese de que todos los dispositivos de seguridad están bien colocados y funcionan correctamente.
  - Coloque indicaciones de suelo mojado si lo considera necesario.
3. Al utilizar la máquina:
  - No pase la máquina por encima del cable eléctrico.
  - No tire del cable eléctrico ni del enchufe para desplazar la máquina.
  - No tire del cable eléctrico cuando se encuentre contra aristas o esquinas.
  - No desenchufe la máquina tirando del cable eléctrico.
  - No estire demasiado el cable eléctrico.
  - No toque el enchufe con las manos mojadas.
  - Mantenga el cable eléctrico alejado de superficies calientes.
  - Informe inmediatamente de las averías de la máquina o del mal funcionamiento de la misma.
  - No permita que los niños jueguen encima o alrededor de la máquina.
  - Si la máquina empieza a perder espuma o líquido, apáguela inmediatamente.

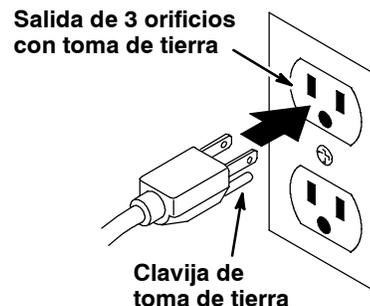
4. Antes de dejar la máquina o realizar operaciones de mantenimiento:
  - Apague la máquina.
  - Desenchufe el cable eléctrico del enchufe de la pared.
5. Cuando realice operaciones de mantenimiento:
  - Desenchufe el cable eléctrico del enchufe de la pared.
  - Evite el contacto con partes móviles. No vista chaquetas, camisas o mangas sueltas.
  - No moje la máquina rociándola o utilizando una manguera. Pueden producirse fallos eléctricos.
  - Utilice repuestos suministrados o aprobados por el fabricante.
  - Todas las reparaciones debe realizarlas personal técnico cualificado.
  - No modifique el diseño original de la máquina.
6. Al transportar la máquina:
  - Desenchufe el cable eléctrico del enchufe de la pared.
  - Pida ayuda para levantar la máquina.
  - No baje ni suba escaleras utilizando las ruedas de la máquina.
  - Utilice las cintas para fijar la máquina al camión o remolque.

### INSTRUCCIONES PARA REALIZAR LA TOMA DE TIERRA

La máquina debe estar conectada a una toma de tierra. En caso de funcionamiento eléctrico incorrecto, la toma de tierra proporciona el camino de menor resistencia a la corriente eléctrica reduciendo de este modo el riesgo de descarga eléctrica. La máquina cuenta con un cable eléctrico equipado con conductores y enchufe con toma de tierra. Conecte el enchufe a una toma de pared adecuada e instalada de acuerdo con las normativas y ordenanzas locales.

**⚠ ADVERTENCIA:** Una conexión inadecuada del cable con toma de tierra puede provocar una descarga eléctrica. Consulte a un electricista cualificado o a un miembro del personal técnico si tiene dudas sobre si el enchufe de pared tiene una toma de tierra adecuada. No modifique el enchufe proporcionado con la máquina. Si no encaja en la toma de pared, haga que un electricista cualificado instale un enchufe de pared adecuado.

Esta máquina está diseñada para utilizarse en un circuito de 120 voltios nominales y tiene un enchufe con toma de tierra como el que aparece en la siguiente ilustración. Asegúrese de que la máquina se conecta a una toma de pared con la misma configuración que el enchufe. No se debe utilizar ningún adaptador con esta máquina.



**ADHESIVOS DE SEGURIDAD**

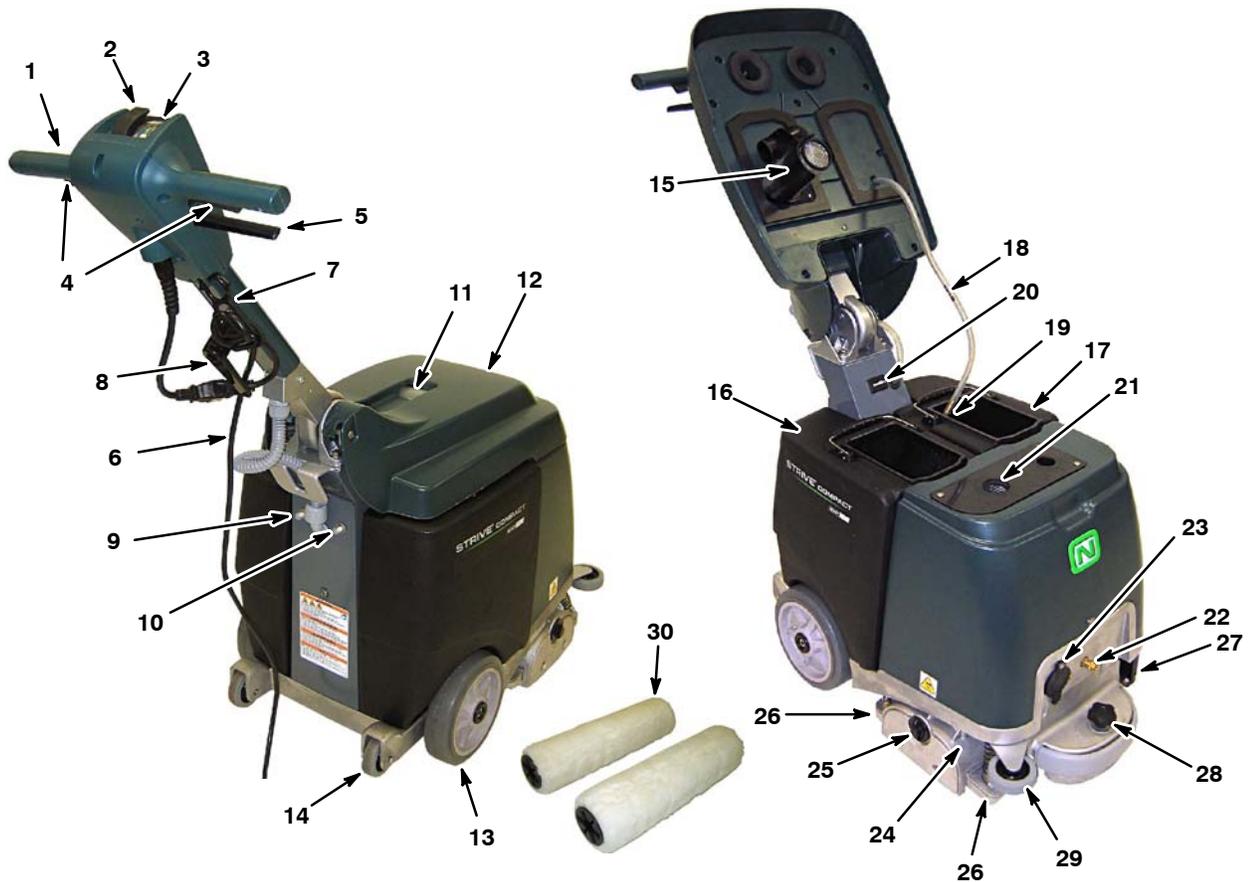
Los adhesivos de seguridad se encuentran en las posiciones indicadas a continuación. Sustituya los adhesivos si se han desprendido, están deteriorados o son ilegibles.

<b>⚠ WARNING</b>	
  	
<b>EXPLOSION, FIRE AND SHOCK HAZARD. AVOID INJURY.</b> • Do Not Use or Pick Up Flammable Materials. • Do Not Use Near Flammable Liquids, Vapors or Combustible Dusts. • Do Not Operate With Damaged Power Cord. Do Not Modify Plug. Unplug Power Cord Before Servicing Machine. • Do Not Use Outdoors. Do Not Expose to Rain. Store Indoors.	
<b>⚠ AVERTISSEMENT</b>	
<b>RISQUE D'EXPLOSION, D'INCENDIE ET DE DÉCHARGE. ÉVITEZ LES BLESSURES.</b> • N'utilisez Pas ou Ne Ramassez Pas de Matériaux Inflammables. • N'utilisez Pas Près de Liquides, Vapeurs ou Poussières Inflammables. • N'utilisez Pas la Machine Avec un Cordon d'Alimentation Endommagé. Ne Modifiez Pas la Prise. Débranchez le Cordon d'Alimentation Avant d'Entretenir la Machine. • N'utilisez Pas en Extérieur. N'Exposez Pas à la Pluie. Entrezposez à l'Intérieur.	
<b>⚠ ADVERTENCIA</b>	
<b>PELIGRO DE EXPLOSION, FUEGO, DESCARGA EVITE LESIONES.</b> • No Use Ó Recoja Materiales Flámables. • No Use Cerca De Líquidos Flámables, Vapores Ó Materiales Combustibles. • No Use Con Cable De Corriente Dañado. No Altere El Enchufe. Desconecte Cable De Corriente Antes Del Mantenimiento. • No Use Al Aire Libre. No Exponga A La Lluvia. Guarde Bajo Techo.	
<b>⚠ 警告</b>	
<b>爆発、火災、またはショックの危険。 怪我に注意。</b> • 引火性物質を使用したり吸引をしないでください。 • 可燃性液体、引火性気体、または粉塵の近くでは、使用しないでください。 • 破損した電源コードを無理に作動させないでください。プラグを改造しないでください。本機を点検整備する前に、電源コードを抜いてください。 • 屋外では使用しないでください。雨に濡さないでください。屋内で保管してください。	
1030105	



**⚠ ADVERTENCIA:**  
**Cepillo giratorio.**  
**Mantenga alejadas las manos. Desenchufe el cable eléctrico antes de realizar operaciones de mantenimiento en la máquina.**

**COMPONENTES DE LA MÁQUINA**



- 1. Mando de control ajustable
- 2. Interruptor de encendido/apagado principal
- 3. Indicador de la presión de rodillos
- 4. Accionadores de arranque
- 5. Palanca de ajuste del mango
- 6. Cable eléctrico de 50ft / 15 m
- 7. Clip de liberación de tensión del cable eléctrico
- 8. Gancho del cable eléctrico
- 9. Botón del cortacircuitos de la máquina de 15 A
- 10. Botón del cortacircuitos del cepillo de 5 A
- 11. Ventana de recuperación
- 12. Tapa del depósito
- 13. Ruedas principales
- 14. Ruedas para subir bordillos/para inclinación

- 15. Flotador de cierre de vacío
- 16. Depósito de recuperación
- 17. Depósito de disolución
- 18. Manguera de disolución
- 19. Rejilla de la manguera de disolución
- 20. Contador de horas
- 21. Rejilla de la toma de aspiración
- 22. Acoplador de la manguera de la disolución de los accesorios
- 23. Orificio de la manguera de vacío del accesorio
- 24. Cabezal de fregado
- 25. Mando de bloqueo de la placa intermedia de rodillos
- 26. Zapatas de vacío
- 27. Soporte
- 28. Mando de ajuste de la presión de rodillos
- 29. Rueda parachoques
- 30. Rodillos

**SÍMBOLOS DE LOS INTERRUPTORES**

- | Encendido
- Apagado
- ✻ Aspiración

## FUNCIONAMIENTO DE LA MÁQUINA

Utilice esta máquina para limpiar manchas visibles en superficies diariamente o cuando sea necesario, para mantener un alto nivel de limpieza de la moqueta. Puede utilizar la máquina durante las horas laborables habituales, ya que la moqueta suele secarse en menos de 30 minutos.

Si la moqueta está muy sucia, haga una limpieza a fondo en primer lugar antes de utilizar esta máquina para una limpieza superficial rutinaria.

## INSTALACIÓN DE LA MÁQUINA

### INSTALACIÓN DE LOS RODILLOS

**PARA SU SEGURIDAD:** Antes de instalar los rodillos, apague la máquina y desenchufe el cable eléctrico.

1. Levante el cabezal de fregado del suelo con el soporte y retire la placa intermedia de rodillos (Ilustración 1). Gire el mando de bloqueo de la placa intermedia hacia la izquierda para retirarla.



ILUST. 1

2. Conecte los dos rodillos a los cubos de transmisión (Ilustración 2).



ILUST. 2

3. Conecte la placa intermedia a los rodillos y vuelva a instalar la placa intermedia. Asegúrese de que los ganchos de la placa intermedia se acoplan al cabezal de fregado y que el mando de bloqueo está fijado (Ilustración 3).



ILUST. 3

**NOTA:** Si va a almacenar la máquina durante un periodo de tiempo largo, levante el cabezal de fregado con el soporte para evitar que los rodillos se deformen.

### LLENADO DEL DEPÓSITO DE DISOLUCIÓN

1. Levante la tapa y retire el depósito de disolución de la máquina (Ilustración 4).
2. Llene el depósito de disolución con 5 gal / 19 l de agua limpia (temperatura máxima de 122°C / 50°C) (Ilustración 5). Rellénelo parcialmente si no puede levantar un depósito lleno.

**ATENCIÓN:** No añada detergentes de limpieza al depósito de disolución. El detergente de limpieza debe prepulverizarse sobre la moqueta utilizando un pulverizador de bomba.



ILUST. 4

ILUST. 5

**ATENCIÓN:** No utilice el depósito de recuperación para llenar el depósito de disolución. La suciedad del depósito de recuperación puede provocar daños en la bomba de la disolución.

**⚠ ADVERTENCIA:** Peligro de incendio o de explosión. No utilice ni recoja materiales inflamables.

3. Sumerja la rejilla de la manguera de disolución en el depósito de disolución y cierre la tapa (Ilustración 6).



ILUST. 6

### CONEXIÓN DEL CABLE ELÉCTRICO

1. Enchufe el cable eléctrico proporcionado a la máquina y sujételo al clip de liberación de tensión como se indica (Ilustración 7).

**PARA SU SEGURIDAD: No utilice la máquina salvo que el cable eléctrico esté conectado a una toma de tierra que funcione correctamente. Utilice sólo el cable eléctrico proporcionado por el fabricante diseñado exclusivamente para esta máquina. No utilice cables alargadores adicionales.**

2. Enchufe el cable eléctrico a una toma de la pared con toma de tierra (Ilustración 8).



ILUST. 7



ILUST. 8

**⚠ ADVERTENCIA: Peligro eléctrico. No utilice la máquina si el cable eléctrico está deteriorado.**

**Si el cable eléctrico está deteriorado o roto, deberá ser sustituido por el fabricante, el servicio técnico del fabricante u otra persona igualmente cualificada para evitar riesgos.**

3. Enrolle el cable eléctrico alrededor del mango y el gancho del cable cuando almacene la máquina. Para sacar el cable eléctrico, suba el gancho del cable (Ilustración 9).



ILUST. 9

### FUNCIONAMIENTO DE LA MÁQUINA

**PARA SU SEGURIDAD: No utilice la máquina salvo que haya leído y comprendido el manual del operario.**

#### ANTES DE LA PUESTA EN MARCHA

1. Compruebe si el cable eléctrico está deteriorado.
2. Pase el aspirador por la moqueta y elimine otros residuos.
3. Utilice un pulverizador de bomba para pulverizar la moqueta con un detergente pretratamiento (Ilustración 10).

*Póngase en contacto con su distribuidor para saber cuáles son los detergentes de limpieza recomendados.*



ILUST. 10

**⚠ ADVERTENCIA: Peligro de incendio o de explosión. No utilice materiales inflamables. Utilice**

sólo limpiadores de suelos comerciales específicos para máquinas.

**LIMPIEZA DE MOQUETAS**

**⚠ ADVERTENCIA:** Peligro de incendio o de explosión. No utilice ni recoja materiales inflamables.

1. Tire de la palanca de ajuste del mango y coloque el mango a una altura que le resulte cómoda para su uso (Ilustración 11). Suelte la palanca para bloquear la posición.



ILUST. 11

2. Coloque el interruptor de alimentación principal en la posición ( I ) (Ilustración 12).



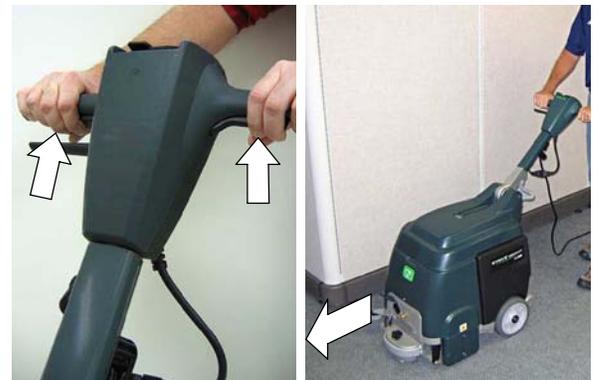
ILUST. 12

3. Para preparar los rodillos para la limpieza, incline la máquina hacia atrás sobre las ruedas de inclinación traseras y tire de los accionadores de arranque durante aproximadamente 30 segundos para humedecer los rodillos (Ilustración 13).



ILUST. 13

4. Para empezar a limpiar, tire de los accionadores de arranque y empuje suavemente la máquina hacia adelante. También puede tirar de la máquina hacia atrás para limpiar la moqueta (Ilustración 14).

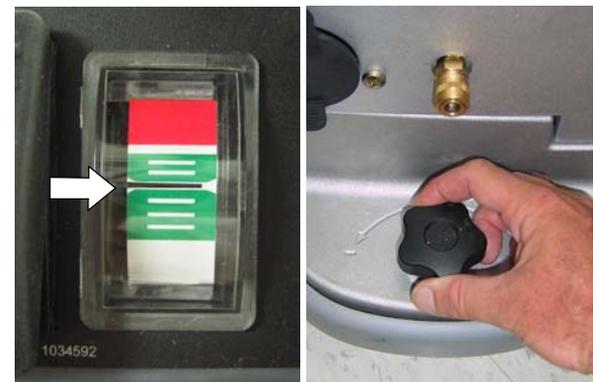


ILUST. 14

**PARA SU SEGURIDAD:** Cuando utilice la máquina, no la pase por encima del cable eléctrico.

5. Observe el indicador de la presión de rodillos. El indicador debe encontrarse en la zona verde. Gire el mando de presión de rodillos para ajustarla (Ilustración 15).

**NOTA:** En el caso de un nuevo conjunto de rodillos, el indicador puede encontrarse en la zona roja brevemente hasta que los rodillos no se acoplan.



ILUST. 15

- El cortacircuitos del motor de rodillos puede activarse si los rodillos se han ajustado a una altura demasiado baja o si están obstruidos. Para restablecer el cortacircuitos, desconecte el cable eléctrico, determine el motivo y restablezca el botón del cortacircuitos de 5 A (Ilustración 16).

**PARA SU SEGURIDAD: Antes de retirar una obstrucción de los rodillos, desenchufe el cable eléctrico de la toma de pared.**

**PARA SU SEGURIDAD: Si al utilizar la máquina ésta empieza a perder espuma o líquido, apáguela inmediatamente.**



ILUST. 16

- Vea el agua que ha recogido la máquina por la ventana de recuperación (Ilustración 17). Cuando termine de recoger el agua, desenchufe el cable eléctrico y vacíe el depósito de recuperación.

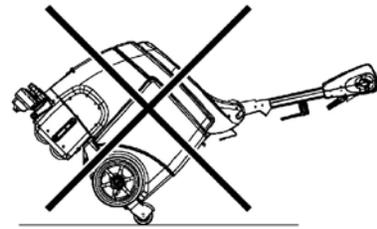
La máquina cuenta con un flotador de cierre de vacío que detiene automáticamente la recogida de agua si el depósito de recuperación alcanza el punto de llenado. Se producirá un cambio repentino en el sonido del motor de aspiración.



ILUST. 17

**ATENCIÓN: Controle si existe un exceso de espuma en el depósito de recuperación. Vacíe el depósito si es así. Puede que la espuma no active el flotador de cierre, lo que podría dañar el motor de aspiración.**

- Quando transporte la máquina, desplácela sobre las ruedas principales y las ruedas traseras para inclinación.



**PARA SU SEGURIDAD: Cuando transporte la máquina, no levante las ruedas ni baje escaleras con la máquina.**

### LIMPIEZA CON ACCESORIOS (Opcional)

- Conecte las mangueras accesorias al acoplamiento del conducto de disolución y al orificio de la manguera de aspiración situados en la parte delantera de la máquina (Ilustración 18).



ILUST. 18

- Llene el depósito de disolución (Consulte LLENADO DEL DEPÓSITO DE DISOLUCIÓN en la página 6).
- Coloque el interruptor de alimentación principal en la posición ( I ) (Ilustración 19).



ILUST. 19

4. Haga funcionar el accesorio (Ilustración 20).

**⚠ ADVERTENCIA:** Peligro de incendio o de explosión. No utilice ni recoja materiales inflamables.



ILUST. 20

## MANTENIMIENTO DE LA MÁQUINA

Para mantener la máquina en buenas condiciones de funcionamiento sólo tiene que realizar los procedimientos de mantenimiento de la máquina.

**PARA SU SEGURIDAD:** Antes de realizar los procedimientos de mantenimiento, apague la máquina y desenchufe el cable eléctrico de la toma de pared.

**ATENCIÓN:** Póngase en contacto con el Servicio Técnico Autorizado para realizar las reparaciones necesarias.

### DESPUÉS DE CADA USO

1. Limpie el cable eléctrico y compruebe si está deteriorado (Ilustración 21). Enrolle el cable eléctrico alrededor del mango y el gancho del cable cuando no utilice la máquina (Ilustración 22).



ILUST. 21



ILUST. 22

**⚠ ADVERTENCIA:** Peligro eléctrico. No utilice la máquina si el cable eléctrico está deteriorado.

Si el cable eléctrico está deteriorado o roto, deberá ser sustituido por el fabricante, el servicio técnico del fabricante u otra persona igualmente cualificada para evitar riesgos.

2. Vacíe los depósitos de recuperación y de disolución y enjuáguelos bien con agua limpia (Ilustración 23).



ILUST. 23

3. Limpie el flotador de cierre de vacío (Ilustración 24) y la rejilla de la toma de aspiración eliminando los desperdicios acumulados (Ilustración 25).



ILUST. 24



ILUST. 25

4. Limpie la rejilla de la manguera de disolución (Ilustración 26).



ILUST. 26

5. Limpie la máquina con un limpiador general y un paño húmedo (Ilustración 27).



ILUST. 27

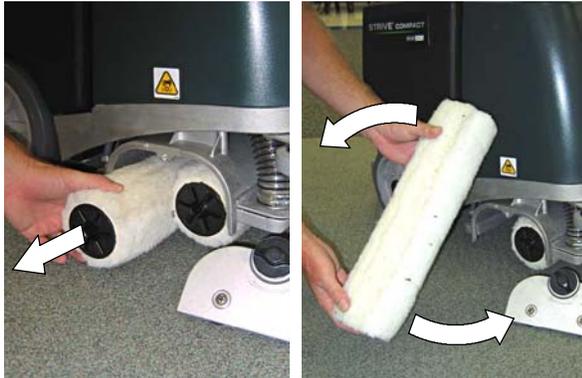
3. Elimine cualquier acumulación de suciedad debajo del cabezal de fregado (Ilustración 30).



ILUST. 30

**DESPUÉS DE CADA 10 HORAS DE USO**

1. Dé la vuelta a los rodillos (Ilustración 28). Sustituya los rodillos después de 100 horas de funcionamiento.



ILUST. 28

2. Retire y limpie las zapatas de vacío delanteras y traseras y elimine los residuos (Ilustración 29). Para retirar las zapatas de vacío, desenrosque el mando de zapata de vacío.

**PARA SU SEGURIDAD: Antes de inclinar la máquina hacia atrás, desconecte el cable eléctrico del enchufe de la pared.**



ILUST. 29

**DESPUÉS DE CADA 100 HORAS DE USO**

1. Sustituya los rodillos. Sustituya siempre los rodillos por juegos.
2. Lave el sistema de disolución con vinagre blanco para eliminar los depósitos minerales. Vierta 1/2 gal / 2,2 l de vinagre blanco en el depósito de disolución y accione la máquina durante 1-2 minutos; a continuación, deje reposar el vinagre un máximo de seis horas. Aclare con agua el sistema de disolución. Retire los rodillos antes de aclararlo.
3. Retire la punta de pulverización y sumérgala en vinagre blanco para evitar atascos. No utilice objetos puntiagudos para limpiar la punta de pulverización o podría dañarla (Ilustración 31).

**PARA SU SEGURIDAD: Antes de inclinar la máquina hacia atrás, desconecte el cable eléctrico del enchufe de la pared.**



ILUST. 31

**MANTENIMIENTO DEL MOTOR DEL CEPILLO**

Póngase en contacto con el Servicio Técnico Autorizado para el reemplazo del cepillo de carbón.

Reemplazo del cepillo de carbón	Horas
Motor de rodillos	500

**ALMACENAMIENTO DE LA MÁQUINA**

Vacíe los depósitos y guarde la máquina en posición vertical en un lugar seco. Levante el cabezal de fregado con el soporte para evitar que los rodillos se deformen. Enrolle cuidadosamente el cable eléctrico alrededor del mango y el gancho del cable.

**Si guarda la máquina a temperaturas inferiores a 0 C, purgue el sistema de disolución y vacíe toda el agua.**

**⚠ ADVERTENCIA: Peligro de descarga eléctrica. No utilice la máquina al aire libre. No exponga la máquina a la lluvia. Guárdela en un lugar cerrado.**

**STOCK RECOMENDADO DE REPUESTOS**

Consulte el Manual de repuestos para saber qué artículos conviene tener en stock. Los repuestos que debe tener en almacén se identifican fácilmente por la marca que precede a la descripción de las piezas. Consulte el siguiente ejemplo:

26	1017380	(00000000-	) • Hose, Drain, Assy, 1.5d X 29.5l, Blk, Ftx
27	1008639	(00000000-	) • Drain Assy
28	1019563	(00000000-	) • Strap, Drain Cap
29	1008637	(00000000-	) • O Ring, 1.48" Id, 1.76" Od

## LOCALIZACIÓN DE AVERÍAS

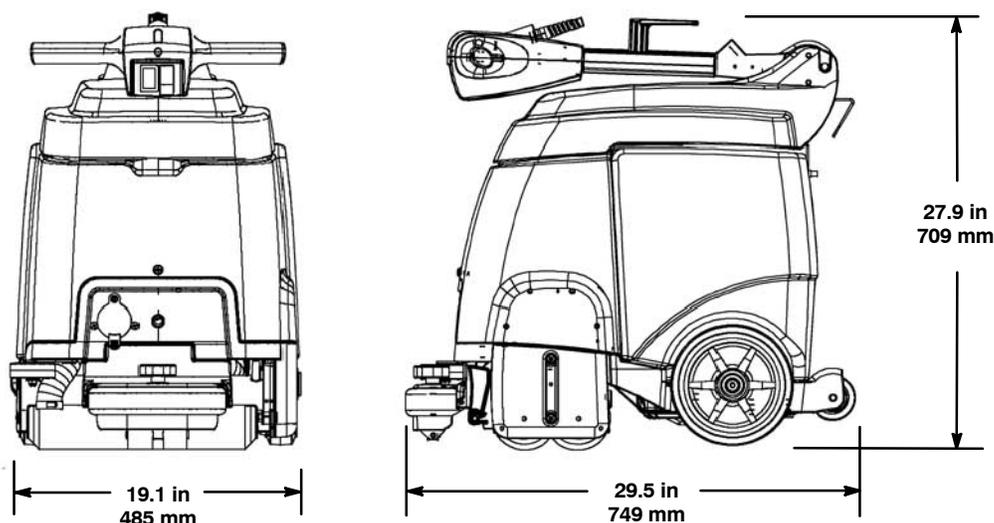
PROBLEMA	CAUSA	SOLUCIÓN
La máquina no funciona.	Cable eléctrico defectuoso.	Sustituir el cable eléctrico.
	Cortacircuitos activado.	Desenchufe el cable eléctrico y determine el motivo. Reajuste el botón del cortacircuitos de 15 A. Póngase en contacto con el Servicio Técnico si el cortacircuitos sigue activándose.
Los rodillos no giran.	Cortacircuitos activado.	Vuelva a ajustar el mando de presión de rodillos. Reajuste el botón del cortacircuitos de 5 A. Desenchufe el cable eléctrico e inspeccione los rodillos en busca de una obstrucción. Reajuste el botón del cortacircuitos de 5 A.
	Correa del cepillo rota.	Póngase en contacto con el servicio técnico.
	Motor de rodillos defectuoso o cepillos de carbón desgastados.	Póngase en contacto con el servicio técnico.
Recogida de agua insuficiente.	Tapa del orificio de la manguera de aspiración accesoria suelta.	Compruebe la tapa del orificio de la manguera de aspiración.
	Rodillos desgastados.	Sustituya los rodillos.
	Flotador de cierre bloqueado.	Limpie los residuos del flotador de cierre.
	Rejilla de la toma de aspiración bloqueada.	Limpie los residuos de la rejilla de la toma.
	Mangueras de aspiración bloqueadas.	Limpie las zapatas de vacío de residuos.
	Manguera de la zapata de vacío bloqueada.	Póngase en contacto con el servicio técnico.
	Juntas de la tapa del depósito gastadas.	Sustituir las juntas.
	Motor de aspiración defectuoso.	Póngase en contacto con el servicio técnico.
Pulverización irregular o inexistente.	Depósito de disolución vacío.	Rellenar el depósito de la disolución.
	Punta de pulverización atascada.	Limpiar o sustituir las puntas.
	Ángulo incorrecto de la punta de pulverización.	Ajuste el ángulo de la punta de pulverización.
	Punta de pulverización defectuosa.	Sustituir la punta de pulverización.
	Rejilla de la manguera de disolución bloqueada.	Limpie los residuos de la rejilla del depósito de disolución.
	Manguera de disolución deteriorada.	Póngase en contacto con el servicio técnico.
	Bomba de la disolución defectuosa.	Póngase en contacto con el servicio técnico.
Aparece un exceso de espuma/crema en el suelo.	Se ha añadido detergente de limpieza al depósito de disolución.	Vacíe y enjuague el depósito de disolución y rellene sólo con agua, no añada detergente de limpieza.

## ESPECIFICACIONES DE LA MÁQUINA

MODELO	Strive Compact
LONGITUD	29.5 in / 749 mm con el mango plegado
ANCHURA	19.1 in / 485 mm
ALTURA	27.9 in / 709 mm con el mango plegado
PESO	117 lb / 53 kg
CAPACIDAD DEL DEPÓSITO DE DISOLUCIÓN	5 gal / 19 l
CAPACIDAD DEL DEPÓSITO DE RECUPERACIÓN	5 gal / 19 l
PRODUCTIVIDAD MEDIA	3,250 ft <sup>2</sup> / 302 m <sup>2</sup> /hr
ANCHURA DE LA PISTA DE LIMPIEZA	15 in / 380 mm
PRESIÓN DE RODILLOS	32 lb / 14,5 kg
MOTOR DE RODILLOS	120 V, 0,3 hp/0,2 kW, 1,7 A, 450 rpm del cepillo
MOTOR DE ASPIRACIÓN	120 V, 1,2 hp/0,88 kW, 2 etapas de 5,7 y 7,1 A
ELEVACIÓN DEL AGUA / FLUJO DEL AIRE	86 in / 2,184 mm
BOMBA DE LA DISOLUCIÓN	120 V, 0,11 hp/0,081 kW, 2 etapas de 5,7 y 0,7 A
FLUJO DE LA DISOLUCIÓN	0,76 l/min
TENSIÓN	120 de CA
CONSUMO ELÉCTRICO TOTAL	11 A
LONGITUD DEL CABLE ELÉCTRICO	50 ft / 15 m
NIVEL DE RUIDO EN DECIBELIOS A LA ALTURA DEL OPERARIO EN INTERIORES*	69 dBA
ÍNDICE DE PROTECCIÓN	IPX3
VIBRACIÓN EN CONTROLES	<1.8 m/s <sup>2</sup>

\*Nivel de ruidos (ISO 11201) recomendado por la American Association of Cleaning Equipment Manufacturers (AACEM) y la Occupational Safety & Health Administration (OSHA).

## DIMENSIONES DE LA MÁQUINA



Ce manuel accompagne chaque nouveau modèle. Il contient les instructions de fonctionnement et d'entretien nécessaires.

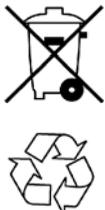
**Lisez complètement ce manuel et familiarisez-vous avec la machine avant de l'utiliser ou de l'entretenir.**

Une liste complète de pièces détachées avec illustrations accompagne également chaque nouveau modèle. Utilisez la liste de pièces détachées pour commander des pièces de rechange. Afin de garantir une livraison rapide, suivez les instructions "COMMENT COMMANDER DES PIÈCES DÉTACHÉES" figurant dans le manuel des pièces détachées.

Cette machine vous fournira d'excellents services. Toutefois, vous obtiendrez les meilleurs résultats pour un prix de revient minimum si :

- La machine est manipulée avec un certain soin.
- La machine fait l'objet d'un entretien régulier - conformément aux instructions d'entretien de ce manuel.
- L'entretien de la machine est effectué avec des pièces fournies par le fabricant ou des pièces équivalentes.

**DÉBALLAGE DE LA MACHINE:** Vérifiez soigneusement si le carton ne présente pas de dommages. Signalez immédiatement tout dommage au transporteur.



**PROTECTION DE L'ENVIRONNEMENT**

Veuillez éliminer les matériaux d'emballage et les composants usagés de l'appareil de manière à protéger l'environnement, conformément aux règlements locaux concernant l'élimination des déchets.

N'oubliez pas de toujours recycler.

**Tennant Company**

PO Box 1452  
 Minneapolis, MN 55440 USA  
 Phone: (800) 553-8033 or (763) 513-2850  
[www.tennantco.com](http://www.tennantco.com)

Les spécifications et pièces sont susceptibles de modification sans préavis.

Copyright © 2008 TENNANT Company. Tous droits réservés. Imprimé en Chine

---

## DONNÉES DE LA MACHINE

---

A remplir au moment de l'installation à titre de référence.

N° du modèle - \_\_\_\_\_

N° de série - \_\_\_\_\_

Options de la machine - \_\_\_\_\_

Agent commercial - \_\_\_\_\_

N° de tél. de l'agent commercial - \_\_\_\_\_

Numéro de client - \_\_\_\_\_

Date d'installation - \_\_\_\_\_

---

## TABLE DES MATIÈRES

---

<b>MESURES DE SÉCURITÉ .....</b>	<b>30</b>
INSTRUCTIONS DE MISE À LA TERRE ...	31
<b>ÉTIQUETTES DE MISE EN GARDE .....</b>	<b>32</b>
<b>COMPOSANTS DE LA MACHINE .....</b>	<b>33</b>
<b>DOMAINE D'APPLICATION DE LA MACHINE .</b>	<b>34</b>
<b>MISE EN SERVICE DE LA MACHINE .....</b>	<b>34</b>
INSTALLATION DES ROULEAUX .....	34
REPLISSAGE DU RÉSERVOIR DE SOLUTION .....	35
BRANCHEMENT DU CORDON D'ALIMENTATION .....	35
<b>FUNCTIONNEMENT DE LA MACHINE .....</b>	<b>36</b>
OPÉRATIONS PRÉLIMINAIRES .....	36
NETTOYAGE DES MOQUETTES .....	36
NETTOYAGE AVEC DES INSTRUMENTS (Option) .....	38
<b>ENTRETIEN DE LA MACHINE .....</b>	<b>38</b>
APRÈS CHAQUE UTILISATION .....	38
TOUTES LES 10 HEURES DE SERVICE ...	39
TOUTES LES 100 HEURES DE SERVICE ..	40
ENTRETIEN DU MOTEUR DE BROSE ...	40
<b>ENTREPOSAGE DE LA MACHINE .....</b>	<b>40</b>
<b>ARTICLES DE STOCK RECOMMANDÉS .....</b>	<b>40</b>
<b>DÉPISTAGE DES PANNES .....</b>	<b>41</b>
<b>CARACTÉRISTIQUES TECHNIQUES DE LA MACHINE .....</b>	<b>42</b>
<b>DIMENSIONS DE LA MACHINE .....</b>	<b>42</b>

---

## MESURES DE SÉCURITÉ

---

Cette machine est conçue pour un usage commercial. Elle est destinée exclusivement au nettoyage des moquettes et tissus d'ameublement dans un environnement intérieur et ne convient pas à un quelconque autre usage. Utilisez uniquement les accessoires recommandés par le fabricant.

Tous les opérateurs sont tenus de lire et comprendre les consignes de sécurité suivantes et de se familiariser avec celles-ci.

Le symbole de mise en garde suivant et l'en-tête « POUR VOTRE SÉCURITÉ » sont utilisés tout au long de ce manuel comme indiqué dans leur description :

 **ATTENTION:** Avertit de la présence de dangers ou les opérations dangereuses susceptibles de blesser grièvement ou de provoquer la mort.

**POUR VOTRE SÉCURITÉ :** identifie les actions qui doivent être effectuées afin de garantir la sécurité lors de l'utilisation de l'équipement.

---

Les consignes de sécurité ci-après indiquent les situations potentiellement dangereuses pour l'opérateur ou pour l'équipement.

 **ATTENTION:** Danger d'incendie ou d'explosion

- N'Utilisez Pas ou ne Ramassez Pas de Matériaux Inflammables.
- Utilisez uniquement des nettoyeurs pour sol disponibles dans le commerce et prévus pour une utilisation avec la machine.
- N'utilisez pas de liquides inflammables ou n'utilisez pas la machine dans ou près de liquides ou vapeurs inflammables ou poussières combustibles.

Cette machine n'est pas équipée de moteurs protégés contre les explosions. Les moteurs électriques émettent des étincelles au moment du démarrage et pendant leur fonctionnement, ce qui peut entraîner un incendie instantané ou une explosion si la machine est utilisée dans une zone où des vapeurs/liquides inflammables ou des poussières combustibles sont présents.

 **ATTENTION:** Danger électrique

- N'utilisez pas la machine avec un cordon d'alimentation endommagé.
- Ne modifiez pas la prise.

- Débranchez le cordon d'alimentation avant d'entretenir la machine.

Si le cordon d'alimentation est endommagé ou rompu, il doit être remplacé par le fabricant ou son agent de maintenance ou toute autre personne qualifiée, afin d'éviter tout danger.

 **ATTENTION:** Brosse en rotation. Éloignez vos mains. Débranchez le cordon d'alimentation avant d'entretenir la machine.

 **ATTENTION:** Risque d'électrocution. N'utilisez pas à l'extérieur. N'exposez pas à la pluie. Entrez à l'intérieur.

### POUR VOTRE SÉCURITÉ:

#### 1. N'utilisez pas la machine:

- Si vous n'y êtes pas formé et autorisé.
- Avant d'avoir lu et compris le manuel opérateur.
- Dans une zone ou des liquides/vapeurs inflammables ou des poussières combustibles.
- Si le cordon n'est pas correctement relié à la terre. Utilisez le cordon d'alimentation fourni par le fabricant et conçu exclusivement pour cette machine. N'utilisez pas de rallonges de câble supplémentaires.
- Extérieur.
- Si elle n'est pas en bon état de marche.
- Dans l'eau stagnante.

#### 2. Avant d'utiliser la machine:

- Assurez-vous que tous les dispositifs de sécurité se trouvent à leur place et fonctionnent correctement.
- Placez les signes SOL HUMIDE si nécessaire.

#### 3. Lorsque vous utilisez la machine:

- Ne roulez pas sur le câble d'alimentation avec la machine.
- Ne tirez pas la machine par la prise ou le cordon.
- Ne tirez pas sur le cordon d'alimentation près des bords ou des coins vifs.
- Ne débranchez pas l'appareil en tirant sur le cordon.
- N'étirez pas le cordon.
- Ne manipulez pas la prise avec des mains mouillées.
- Éloignez le cordon d'alimentation des surfaces chaudes.
- Signalez immédiatement tout dommage occasionné à la machine ou tout mauvais fonctionnement.

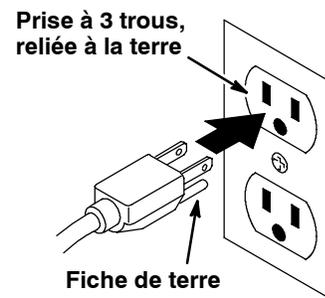
- Empêchez les enfants de jouer à proximité de la machine.
  - Lorsque de la mousse ou du liquide commence à fuir de la machine pendant son fonctionnement, coupez la machine immédiatement.
4. Avant de quitter ou d'entretenir la machine:
- Coupez le contact de la machine.
  - Débranchez le cordon d'alimentation de la prise murale.
5. Lors de l'entretien de la machine:
- Débranchez le cordon d'alimentation de la prise murale.
  - Évitez les pièces mobiles. Ne portez pas de veste ou de chemise large ou de manches amples.
  - N'utilisez pas de jet de pression sur la machine. Un dysfonctionnement électrique risque de se produire.
  - Utilisez des pièces de rechanges fournies ou agréées par le fabricant.
  - Toutes les réparations doivent être effectuées uniquement par un technicien qualifié.
  - Ne modifiez pas le design d'origine de la machine.
6. Lors du transport de la machine:
- Débranchez le cordon d'alimentation de la prise murale.
  - Demandez de l'aide pour soulever la machine.
  - Ne roulez pas dans les escaliers.
  - Utilisez des sangles pour arrimer la machine sur le camion ou la remorque.

### INSTRUCTIONS DE MISE À LA TERRE

Cet appareil doit être relié à la terre. En cas de dysfonctionnement ou de panne, la mise à la terre offre une voie de moindre résistance au courant électrique, afin de réduire le risque de décharge électrique. Cette machine est équipée d'un cordon muni d'un conducteur de terre principale et d'une fiche avec mise à la terre. La fiche doit être branchée sur une prise appropriée montée correctement, conformément aux réglementations et codes en vigueur au niveau local.

**⚠ ATTENTION: Une connexion impropre du conducteur de mise à la terre de l'équipement peut engendrer un risque de choc électrique. Si vous avez un doute sur la mise à la terre de la prise de courant, faites examiner la prise par un électricien qualifié ou un technicien de dépannage. Ne modifiez pas la fiche fournie avec la machine. Si elle ne rentre pas dans la prise, utilisez une prise adéquate installée par un électricien.**

Cet appareil est prévu pour une utilisation sur un circuit nominal de 120 volts et il possède une fiche de mise à la terre qui ressemble à la fiche illustrée sur le croquis. Veillez à ce que la machine soit branchée sur une prise de courant ayant la même configuration que la fiche. Cette machine ne doit pas être utilisée avec un adaptateur.



ÉTIQUETTES DE MISE EN GARDE

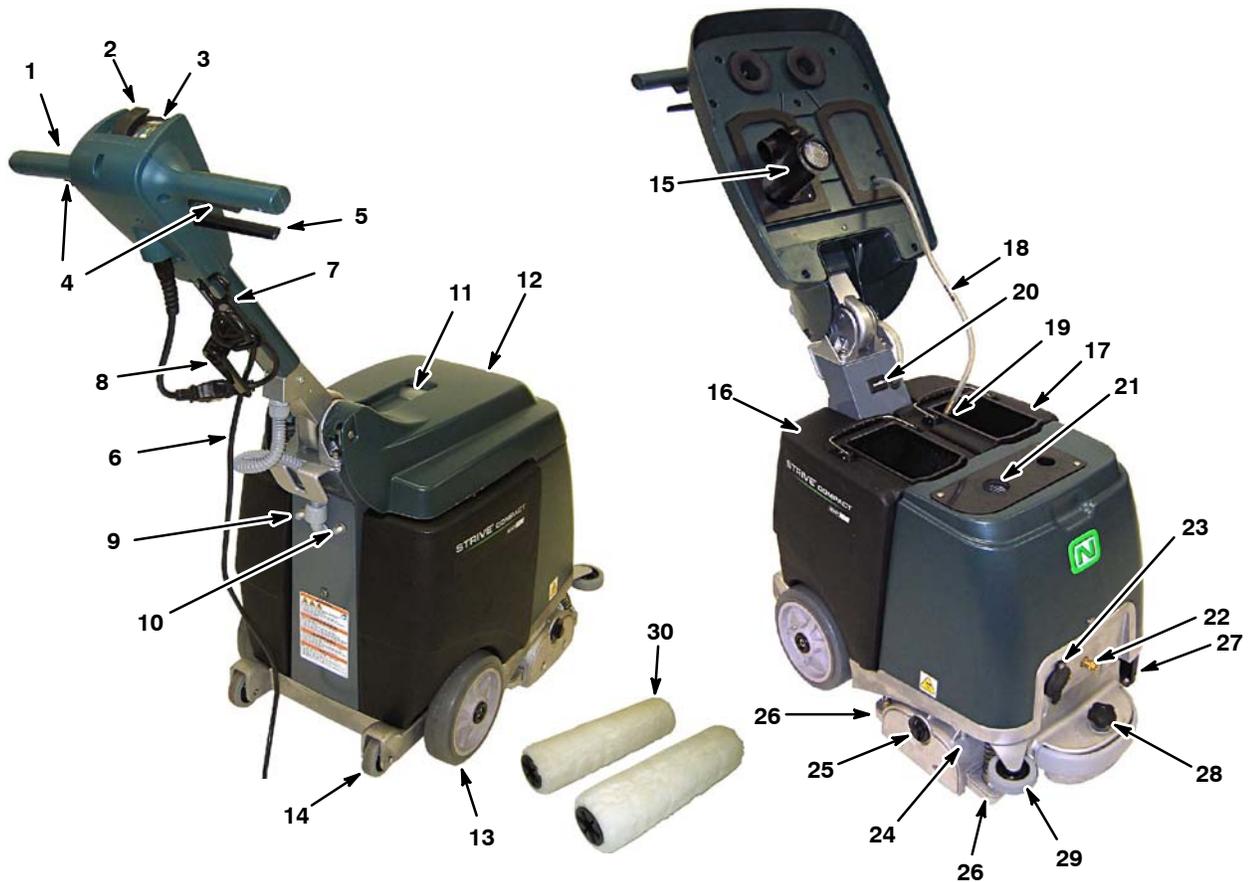
Les étiquettes de mise en garde se trouvent sur la machine aux endroits indiqués. Remplacez les étiquettes lorsqu'elles sont endommagées ou qu'elles deviennent illisibles.

<b>⚠ WARNING</b>	
  	
<p><b>EXPLOSION, FIRE AND SHOCK HAZARD. AVOID INJURY.</b></p> <ul style="list-style-type: none"> <li>• Do Not Use or Pick Up Flammable Materials.</li> <li>• Do Not Use Near Flammable Liquids, Vapors or Combustible Dusts.</li> <li>• Do Not Operate With Damaged Power Cord. Do Not Modify Plug. Unplug Power Cord Before Servicing Machine.</li> <li>• Do Not Use Outdoors. Do Not Expose to Rain. Store Indoors.</li> </ul>	
<b>⚠ AVERTISSEMENT</b>	
<p><b>RISQUE D'EXPLOSION, D'INCENDIE ET DE DÉCHARGE. ÉVITEZ LES BLESSURES.</b></p> <ul style="list-style-type: none"> <li>• N'utilisez Pas ou Ne Ramassez Pas de Matériaux Inflammables.</li> <li>• N'utilisez Pas Près de Liquides, Vapeurs ou Poussières Inflammables.</li> <li>• N'utilisez Pas la Machine Avec un Cordon d'Alimentation Endommagé. Ne Modifiez Pas la Prise. Débranchez le Cordon d'Alimentation Avant d'Entretenir la Machine.</li> <li>• N'utilisez Pas en Extérieur. N'Exposez Pas à la Pluie. Entrezposez à l'Intérieur.</li> </ul>	
<b>⚠ ADVERTENCIA</b>	
<p><b>PELIGRO DE EXPLOSION, FUEGO, DESCARGA EVITE LESIONES.</b></p> <ul style="list-style-type: none"> <li>• No Use Ó Recoja Materiales Flámables.</li> <li>• No Use Cerca De Líquidos Flámables, Vapores Ó Materiales Combustibles.</li> <li>• No Use Con Cable De Corriente Dañado. No Altere El Enchufe. Desconecte Cable De Corriente Antes Del Mantenimiento.</li> <li>• No Use Al Aire Libre. No Exponga A La Lluvia. Guarde Bajo Techo.</li> </ul>	
<b>⚠ 警告</b>	
<p><b>爆発、火災、またはショックの危険。 怪我に注意。</b></p> <ul style="list-style-type: none"> <li>• 引火性物質を使用したり吸引をしないでください。</li> <li>• 可燃性液体、引火性気体、または粉塵の近くでは、使用しないでください。</li> <li>• 破損した電源コードを扱い作動させないでください。プラグを改造しないでください。本機を点検整備する前に、電源コードを抜いてください。</li> <li>• 屋外では使用しないでください。雨に濡さないでください。屋内で保管してください。</li> </ul>	
1030105	



**⚠ MISE EN GARDE:**  
**Brosse en rotation.**  
**Éloignez vos mains.**  
**Débranchez le cordon**  
**d'alimentation de la**  
**machine avant de**  
**l'entretenir.**

COMPOSANTS DE LA MACHINE



- |   |   |
|---|---|
| <ul style="list-style-type: none"> <li>1. Poignée de commande réglable</li> <li>2. Commutateur principal (ON/OFF)</li> <li>3. Indicateur de pression de rouleur</li> <li>4. Déclencheurs de démarrage</li> <li>5. Levier d'ajustement de hauteur de poignée</li> <li>6. Cordon d'alimentation de 50 ft / 15 m</li> <li>7. Pince de décharge de traction de cordon d'alimentation</li> <li>8. Crochet de cordon d'alimentation</li> <li>9. Bouton de coupe-circuit de la machine 15A</li> <li>10. Bouton de coupe-circuit de la brosse 5A</li> <li>11. Regard du réservoir de récupération</li> <li>12. Couvercle du réservoir</li> <li>13. Roues principales</li> <li>14. Roues de montée / basculement</li> <li>15. Sectionneur d'extraction à détecteur à flotteur</li> </ul> | <ul style="list-style-type: none"> <li>16. Réservoir de récupération</li> <li>17. Réservoir de solution</li> <li>18. Tuyau de solution</li> <li>19. Grille du tuyau de solution</li> <li>20. Compteur horaire</li> <li>21. Grille d'admission d'extracteur</li> <li>22. Raccord du tuyau du réservoir de solution</li> <li>23. Orifice du tuyau d'aspiration de l'accessoire</li> <li>24. Tête de brossage</li> <li>25. Bouton de blocage du plateau intermédiaire de rouleur</li> <li>26. Sabots d'extraction</li> <li>27. Béquille de support</li> <li>28. Bouton de réglage de la pression de rouleur</li> <li>29. Roulette d'amortissement</li> <li>30. Rouleaux</li> </ul> |
|---|---|

SYMBOLES DU COMMUTATEUR

- Marche
  Arrêt
 ✿ Extracteur

## DOMAINE D'APPLICATION DE LA MACHINE

Utilisez cette technologie pour nettoyer quotidiennement les saletés visibles ou pour maintenir un haut niveau de propreté de la moquette, si nécessaire. La machine peut être utilisée pendant les heures normales d'ouverture, car la moquette est souvent sèche en moins de 30 minutes.

Si la moquette est très sale, nettoyez-la d'abord en profondeur avant d'utiliser cette machine pour un nettoyage de surface de routine.

## MISE EN SERVICE DE LA MACHINE

### INSTALLATION DES ROULEAUX

**POUR VOTRE SÉCURITÉ : Avant d'installer les rouleaux, coupez l'alimentation de la machine et débranchez le cordon d'alimentation de la prise murale.**

1. Soulevez la tête de nettoyage avec le support et retirez le plateau intermédiaire du rouleau (Figure 1). Tournez le bouton de verrouillage du plateau intermédiaire dans le sens contraire des aiguilles d'une montre pour retirer le plateau.



FIG. 1

2. Connectez les rouleaux sur le moyeu d'entraînement (Figure 2).



FIG. 2

3. Fixez le plateau d'entraînement sur les rouleaux et réinstallez le plateau d'entraînement. Assurez-vous que le plateau d'entraînement s'engage dans la tête de brosse et que le bouton de blocage est bien serré (Figure 3).



FIG. 3

**REMARQUE :** Lorsque vous entreposez la machine pendant une longue période, soulevez la tête de nettoyage pour éviter les traces.

## REPLISSAGE DU RÉSERVOIR DE SOLUTION

1. Soulevez le couvercle et retirez le réservoir de solution de la machine (Figure 4).
2. Remplissez le réservoir avec 5 gal / 19 l d'eau claire (Température max. 122°F / 50°C (Figure 5)). Remplissez partiellement si vous êtes incapable de soulever le réservoir plein.

**ATTENTION:** N'ajoutez pas de produits nettoyants dans le réservoir de solution. Le détergent de nettoyage est pulvérisé au préalable sur la moquette à l'aide d'un pulvérisateur à pompe.



FIG. 4



FIG. 5

**ATTENTION:** N'utilisez pas le réservoir de récupération pour remplir le réservoir de solution. La saleté venant du réservoir de récupération peut endommager la pompe de la solution.

**⚠ ATTENTION: Danger d'incendie ou d'explosion, N'Utilisez Pas ou ne Ramassez Pas de Matériaux Inflammables.**

3. Plongez la grille du tuyau de la solution dans le réservoir et fermez le couvercle.



FIG. 6

## BRANCHEMENT DU CORDON D'ALIMENTATION

1. Branchez le cordon d'alimentation sur la machine et fixez le cordon sur la pince de décharge de traction comme illustré (Figure 7).

**POUR VOTRE SÉCURITÉ: N'utilisez la machine que si le cordon est correctement relié à la terre. Utilisez le cordon d'alimentation fourni par le fabricant et conçu exclusivement pour cette machine. N'utilisez pas de rallonges de câble supplémentaires.**

2. Branchez le cordon d'alimentation sur une prise murale reliée à la terre (Figure 8).



FIG. 7

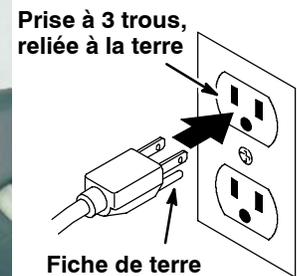


FIG. 8

**⚠ ATTENTION: Danger électrique, N'utilisez pas la machine avec un cordon d'alimentation endommagé.**

**Si le cordon d'alimentation est endommagé ou rompu, il doit être remplacé par le fabricant, son agent de maintenance ou toute autre personne qualifiée, afin d'éviter tout danger.**

3. Lorsque vous entreposez la machine, enroulez le cordon d'alimentation autour de la poignée et du crochet. Pour retirer le cordon d'alimentation, tournez le crochet vers le haut. (Figure 9).



FIG. 9

## FONCTIONNEMENT DE LA MACHINE

**POUR VOTRE SÉCURITÉ: N'utilisez pas la machine avant d'avoir lu et compris le manuel opérateur.**

### OPÉRATIONS PRÉLIMINAIRES

1. Vérifiez si le cordon d'alimentation n'est pas endommagé.
2. Aspirez la moquette et retirez les déchets.
3. À l'aide d'un pulvérisateur à pompe, pulvérisez la moquette avec un détergent (Figure 10).

*Contactez le fournisseur pour les détergents de nettoyage.*



FIG. 10

**⚠ ATTENTION: Danger d'incendie ou d'explosion. N'utilisez pas de matériaux inflammables. Utilisez uniquement des nettoyants pour sol disponibles dans le commerce et conçus pour une utilisation avec la machine.**

### NETTOYAGE DES MOQUETTES

**⚠ ATTENTION: Danger d'incendie ou d'explosion, n'utilisez pas ou ne ramassez pas de matériaux inflammables.**

1. Tirez le levier d'ajustement et réglez la poignée à une hauteur confortable (Figure 11). Relâchez le levier pour verrouiller la position.

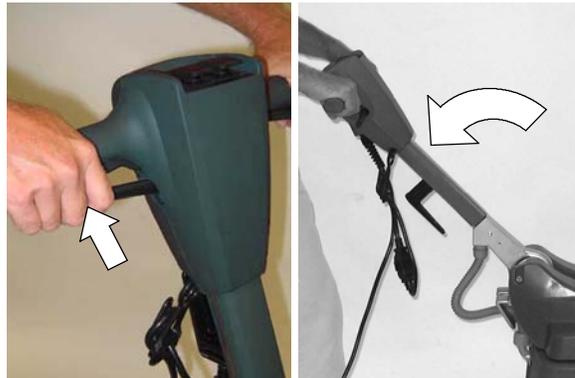


FIG. 11

2. Placez le commutateur principal en position de marche ( I ) (Figure 12).



FIG. 12

3. Pour préparer les rouleaux pour le nettoyage, basculez la machine sur les roues arrière et actionnez les déclencheurs de démarrage pendant environ 30 secondes pour humidifier les rouleaux (Figure 13).

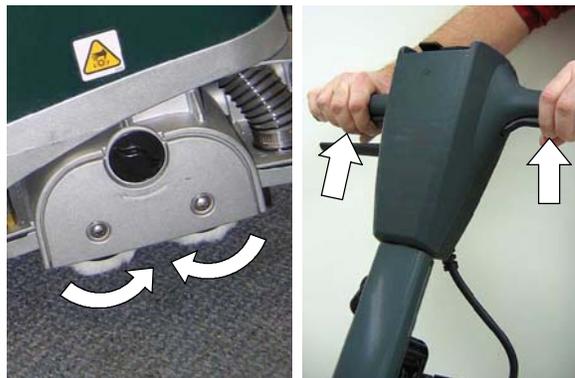


FIG. 13

4. Pour commencer le nettoyage, actionnez les déclencheurs et poussez lentement la machine vers l'avant. Vous pouvez également tirer la machine vers l'arrière pour nettoyer (Figure 14).



FIG. 14

**POUR VOTRE SÉCURITÉ: Ne roulez pas sur le câble d'alimentation avec la machine.**

5. Observez l'indicateur de pression des rouleaux. L'indicateur doit se trouver dans la zone verte. Pour le réglage, tournez le bouton de pression des rouleaux (Figure 15).

**REMARQUE:** Pour un jeu de rouleaux neufs, il se peut que l'indicateur se trouve en zone rouge durant une courte période, jusqu'à ce que les rouleaux soient "rodés".

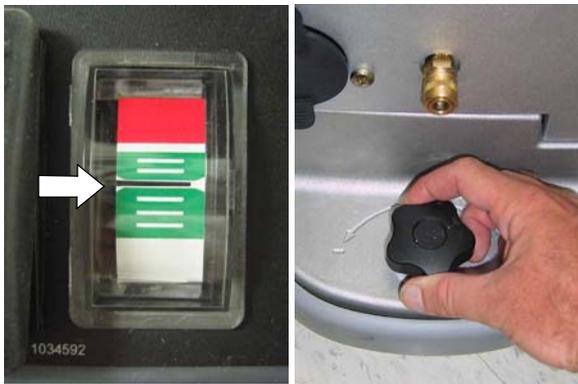


FIG. 15

6. Le coupe-circuit du moteur de rouleaux peut se déclencher lorsque les rouleaux sont réglés trop bas ou lorsqu'ils sont obstrués. Pour réenclencher le coupe-circuit, débranchez le cordon d'alimentation, déterminez la cause et réenclenchez le coupe-circuit 5 amp. (Figure 16).

**POUR VOTRE SÉCURITÉ: Avant d'éliminer un obstacle des rouleaux, débranchez le cordon d'alimentation de la prise murale.**

**POUR VOTRE SÉCURITÉ: Si de la mousse ou du liquide commence à fuir de la machine lors de son utilisation, coupez immédiatement la machine.**



FIG. 16

7. Examinez la récupération d'eau au travers du regard du réservoir de récupération (Figure 17). Lorsque le ramassage de l'eau est terminé, débranchez le cordon d'alimentation et videz le réservoir de récupération.

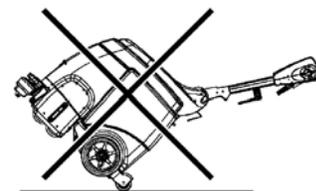
La machine un sectionneur d'extraction à détecteur à flotteur qui interrompt automatiquement la récupération d'eau si le niveau d'eau atteint la limite de remplissage du réservoir. Un changement brusque du bruit du moteur d'extraction se produit.



FIG. 17

**ATTENTION: Vérifiez qu'une quantité importante de mousse ne s'est pas formée dans le réservoir de récupération. Videz le réservoir lorsque la quantité de mousse est excessive. La mousse risque de ne pas activer le détecteur à flotteur pour couper le moteur d'extraction, qui risque alors de s'endommager.**

8. Lors du transport de la machine, faites rouler la machine sur les roues principales et les roues de basculement arrière.



**POUR VOTRE SÉCURITÉ: Lors du transport de la machine, ne roulez pas sur les escaliers.**

**NETTOYAGE AVEC DES INSTRUMENTS (Option)**

1. Connectez les tuyaux accessoires sur le raccord du tuyau de solution et sur l'orifice du tuyau d'extraction situé à l'avant de la machine (Figure 18).



FIG. 18

2. Remplissez le réservoir (Voir REMPLISSAGE DU RÉSERVOIR DE SOLUTION à page 35).
3. Placez le commutateur principal en position de marche ( I ) (Figure 19).



FIG. 19

4. Actionnez l'accessoire (Figure 20).

**⚠ ATTENTION: Danger d'incendie ou d'explosion, N'Utilisez Pas ou ne Ramassez Pas de Matériaux Inflammables.**



FIG. 20

**ENTRETIEN DE LA MACHINE**

Pour garder la machine en bon état de marche, il vous suffit de suivre les procédures d'entretien recommandées pour la machine.

**POUR VOTRE SÉCURITÉ: Avant d'effectuer les procédures d'entretien, coupez l'alimentation de la machine et débranchez le cordon d'alimentation de la prise murale.**

**ATTENTION: Contactez un service de réparation agréé pour les réparations de la machine.**

**APRÈS CHAQUE UTILISATION**

1. Nettoyez le cordon d'alimentation et contrôlez son endommagement éventuel (Figure 21). Enroulez le cordon d'alimentation autour de la poignée et du crochet lorsque que vous n'utilisez pas la machine (Figure 22).



FIG. 21



FIG. 22

**⚠ MISE EN GARDE: Danger électrique, N'utilisez pas la machine avec un cordon d'alimentation endommagé.**

**Si le cordon d'alimentation est endommagé ou rompu, il doit être remplacé par le fabricant, son agent de maintenance ou toute autre personne qualifiée, afin d'éviter tout danger.**

2. Videz les réservoirs de récupération et de solution et rincez-les méticuleusement à l'eau claire (Figure 23).



FIG. 23

3. Nettoyez le sectionneur d'extraction à détecteur à flotteur (Figure 24) et la grille d'admission d'extracteur pour éliminer toute accumulation de débris (Figure 25).



FIG. 24



FIG. 25

4. Nettoyez la grille du tuyau de solution (Figure 26).



FIG. 26

5. Nettoyez la machine avec un produit nettoyant tous usages et un chiffon humidifié (Figure 27).



FIG. 27

**TOUTES LES 10 HEURES DE SERVICE**

1. Retournez les rouleaux (Figure 28). Remplacez les rouleaux après 100 heures d'utilisation.

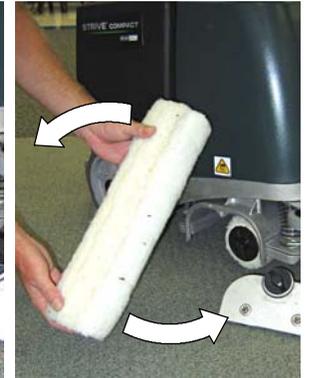


FIG. 28

2. Retirez et nettoyez les sabots d'extraction avant et arrière et éliminez les débris (Figure 29). Pour enlever les sabots d'extraction, retirez les boutons des sabots d'extraction.

**POUR VOTRE SÉCURITÉ: Avant de rebasculer la machine, débranchez le cordon d'alimentation de la prise murale.**

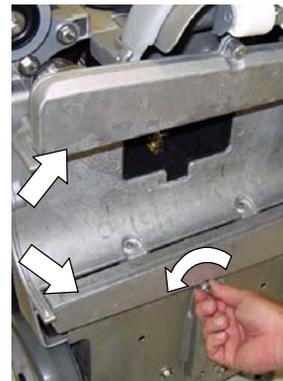


FIG. 29

3. Éliminez les débris accumulés au-dessous de la tête de brossage (Figure 30).

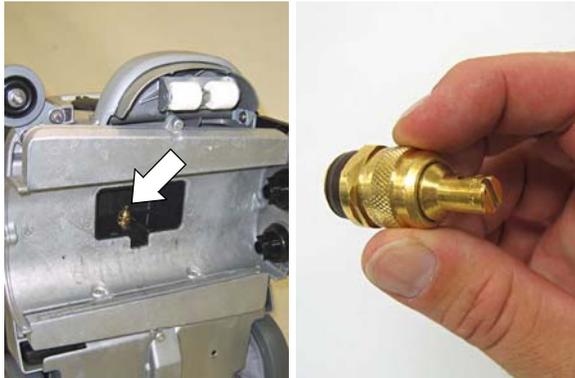


FIG. 30

**TOUTES LES 100 HEURES DE SERVICE**

1. Remplacez les rouleaux. Remplacez toujours les rouleaux par jeu.
2. Rincez le système de solution avec du vinaigre blanc afin d'éliminer les dépôts chimiques. Versez 1/2 gal / 2,2 l de vinaigre blanc dans le réservoir de solution et faites tourner la machine pendant 1 à 2 minutes, puis laissez agir le vinaigre pendant six heures maximum. Rincez le système de solution à l'eau. Retirez les rouleaux avant d'effectuer le rinçage.
3. Retirez l'embout du gicleur et trempez-le dans le vinaigre blanc éviter qu'il se bouche. N'utilisez pas d'objet pointu pour nettoyer les embouts de gicleur, afin d'éviter tout dommage. (Figure 31).

**POUR VOTRE SÉCURITÉ: Avant de rebasculer la machine, débranchez le cordon d'alimentation de la prise murale.**



**FIG. 31**

**ENTRETIEN DU MOTEUR DE BROSSE**

**Contactez un centre d'entretien agréé pour un contrôle des balais de charbon.**

Remplacement des balais de charbon	Heures
Moteur de rouleau	500

**ENTREPOSAGE DE LA MACHINE**

Videz les réservoirs et entreposez la machine verticalement à l'abri de l'humidité. Soulevez la tête de brosse avec la béquille de support afin d'éviter d'aplatir les rouleaux. Enroulez proprement le cordon d'alimentation autour de la poignée et du crochet.

**Si vous entreposez la machine à des températures proches de zéro, pompez toute l'eau.**

**⚠ ATTENTION: Danger de choc électrique. N'utilisez pas en extérieur. N'exposez pas à la pluie. Entreposez à l'intérieur.**

**ARTICLES DE STOCK RECOMMANDÉS**

Reportez-vous à la Liste des pièces détachées pour les articles de stock recommandés. Les articles de stock sont clairement identifiés à l'aide d'un point précédant la description de la pièce. Voir l'exemple ci-dessous :

26	1017380	(00000000-	) • Hose, Drain, Assy, 1.5d X 29.5l, Blk,Flx
27	1008639	(00000000-	) • Drain Assy
28	1019563	(00000000-	) • Strap, Drain Cap
29	1008637	(00000000-	) • O Ring, 1.48" Id, 1.76" Od

**DÉPISTAGE DES PANNES**

<b>PROBLÈME</b>	<b>CAUSE</b>	<b>SOLUTION</b>
La machine ne fonctionne pas.	Cordon d'alimentation défectueux.	Remplacez le cordon d'alimentation.
	Coupe-circuit déclenché.	Débranchez le cordon d'alimentation et déterminez la cause. Réenclenchez le bouton du coupe-circuit 15 amp. Contactez le centre d'assistance si le coupe-circuit continue à se déclencher.
Les rouleaux ne tournent pas	Coupe-circuit déclenché.	Réglez le bouton de pression des rouleaux. Réenclenchez le bouton du coupe-circuit 5 amp. Débranchez le cordon d'alimentation et vérifiez l'obstruction éventuelle des rouleaux. Réenclenchez le bouton du coupe-circuit 5 amp.
	Courroie de brosse rompue.	Contactez le service de dépannage.
	Moteur des rouleaux défectueux ou balais de charbon usés.	Contactez le service de dépannage.
Faible récupération d'eau.	Détachez le couvercle de l'orifice du tuyau d'aspiration auxiliaire.	Contrôlez le couvercle de l'orifice du tuyau d'aspiration.
	Rouleaux endommagés	Remplacez les rouleaux.
	Sectionneur à détecteur à flotteur obstrué.	Éliminez les débris du sectionneur d'extraction à détecteur à flotteur.
	Grille d'admission de l'extraction obstruée.	Nettoyez les débris de la grille d'admission.
	Sabots d'extraction obstrués.	Nettoyez les débris des sabots d'extraction.
	Tuyau de sabot d'extraction obstrué.	Contactez le service de dépannage.
	Joints d'étanchéité du couvercle de réservoir usés.	Remplacez les joints.
	Moteur d'extracteur défectueux.	Contactez le service de dépannage.
Diffusion irrégulière ou nulle.	Réservoir de solution vide.	Remplissez le réservoir de solution.
	Gicleurs obstrués.	Nettoyez ou remplacez le gicleur.
	Angle de gicleur inapproprié.	Réglez l'angle du gicleur.
	Gicleur défectueux.	Remplacez le gicleur.
	Grille de tuyau de solution obstruée.	Nettoyez les débris de la grille du réservoir de solution.
	Tuyau de solution endommagé.	Contactez le service de dépannage.
	Pompe à solution défectueuse.	Contactez le service de dépannage.
Une mousse excessive apparaît sur le sol.	Des détergents de nettoyage ont été ajoutés au réservoir de solution.	Vidangez et rincez le réservoir de solution et remplissez-le avec de l'eau uniquement, n'ajoutez pas de détergents de nettoyage.

**CARACTÉRISTIQUES TECHNIQUES DE LA MACHINE**

<b>MODÈLE</b>	<b>R3</b>
LONGUEUR	29.5 in / 749 mm avec poignée repliée
LARGEUR	19.1 in / 485 mm
HAUTEUR	27.9 in / 709 mm avec poignée repliée
POIDS	117 lb / 53 kg
CAPACITÉ DU RÉSERVOIR DE SOLUTION	5 gal / 19 l
CAPACITÉ DU RÉSERVOIR DE RÉCUPÉRATION	5 gal / 19 l
TAUX DE RENDEMENT MOYEN	3,250 ft <sup>2</sup> / 302 m <sup>2</sup> /hr
LARGEUR DE LA TRACE DE NETTOYAGE	15 in / 380 mm
PRESSIION DES ROULEAUX	32 lb / 14,5 kg
MOTEUR DES ROULEAUX	120 V, 0,3 hp / 0,2 kW, 1,7 A, 450 tr/min
MOTEUR D'EXTRACTEUR	120 V, 1,2 hp / 0,88 kW, 2 phases 5,7, 7,1 A
HAUTEUR D'ASPIRATION / CIRCULATION D'AIR	86 in / 2184 mm
POMPE À SOLUTION	120 V, 0,11 hp / 0,081 kW, 2 phases 5,7, 0,7 A
DÉBIT DE SOLUTION	0,2 gal / 0,76 l/min
TENSION	120 CA
CONSOMMATION ÉLECTRIQUE TOTALE	11 A
LONGUEUR DU CORDON D'ALIMENTATION	50 ft / 15 m
NIVEAU SONORE AU NIVEAU DE L'OREILLE DE L'OPÉRATEUR, À L'INTÉRIEUR*	69 dBA
DEGRÉ DE PROTECTION	IPX3
VIBRATIONS AU NIVEAU DES COMMANDES	<1,8 m/s <sup>2</sup>

\* Pression sonore (ISO 11201) tel que recommandé par l'association américaine des constructeurs d'équipements de nettoyage AACEM et par la OSHA.

**DIMENSIONS DE LA MACHINE**

